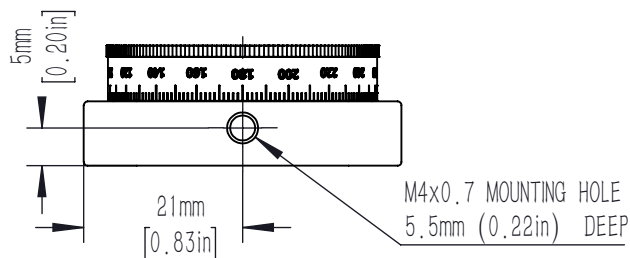
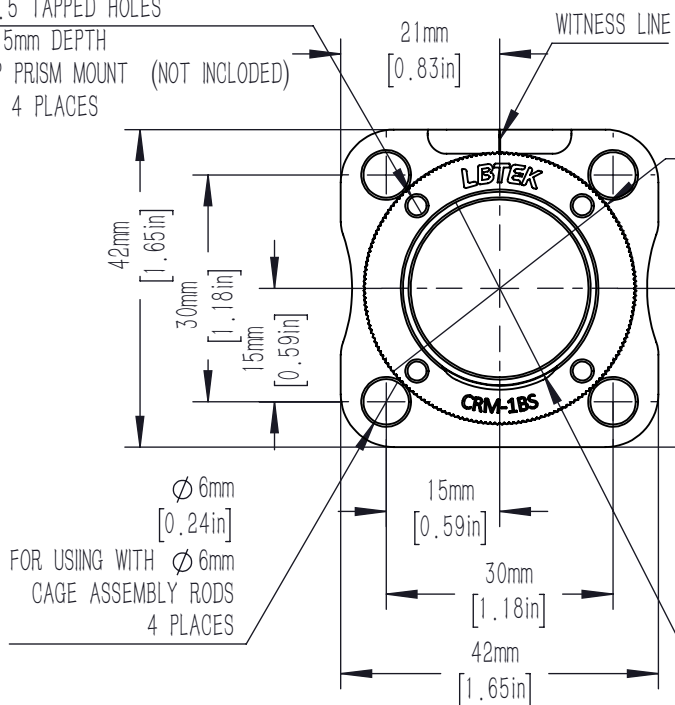
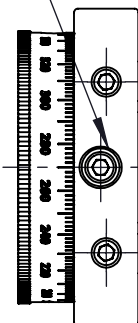


LOCKING SCREW FOR ROTATION
2.0mm(0.08in) HEX
DO NOT OVERTIGHTEN
WHEN LOCKING



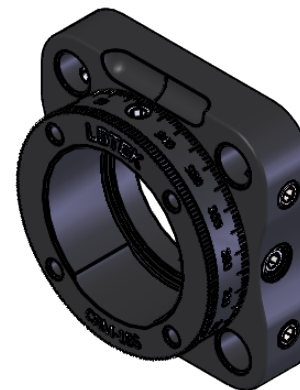
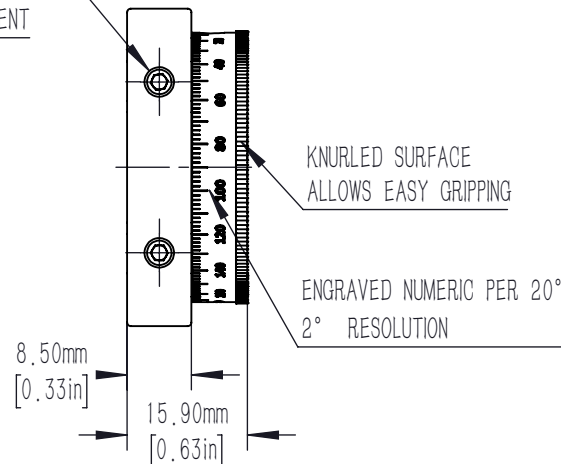
M3 x0.5 TAPPED HOLES
5mm DEPTH
FOR MOUNTING AMM6P PRISM MOUNT (NOT INCLUDED)
4 PLACES



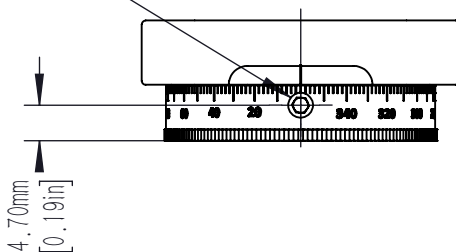
ϕ 6mm
[0.24in]
FOR USING WITH ϕ 6mm
CAGE ASSEMBLY RODS
4 PLACES

ϕ 25.60mm (ϕ 1.01in) x11.4mm (0.45in) DEEP
 ϕ 23.5mm [0.93in] CLEAR APERTURE

LOCKING FOR ϕ 6mm (ϕ 0.24in) RODS
2.0mm(0.08in) HEX
4 PLACES
(2 PLACES, 2 SIDES)



NYLON TIP FOR LOCKING ϕ 25.4mm (ϕ 1in) OPTICS
2mm(0.08in) HEX
TO MOUNT MIN 7.9mm (0.31in) THICK OPTICS



DRAWING PROJECTION			LBTEK			
	NAME	DATE				
DRAWN	CZH	MAR./29th/23	30mm CAGE ROTATION MOUNT WITH SETSCREW			
APPROVAL	ZXU	MAR./29th/23	MATERIAL	WEIGHT	SCALE	REV
FOR INFORMATION ONLY NOT FOR MANUFACTURING PURPOSES			N/A	0.03 Kg	1:1	D