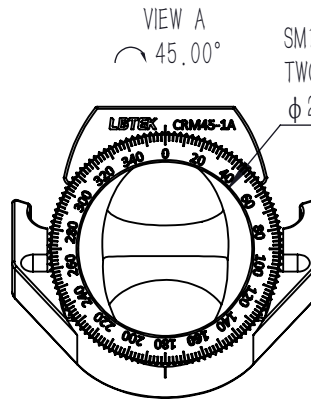
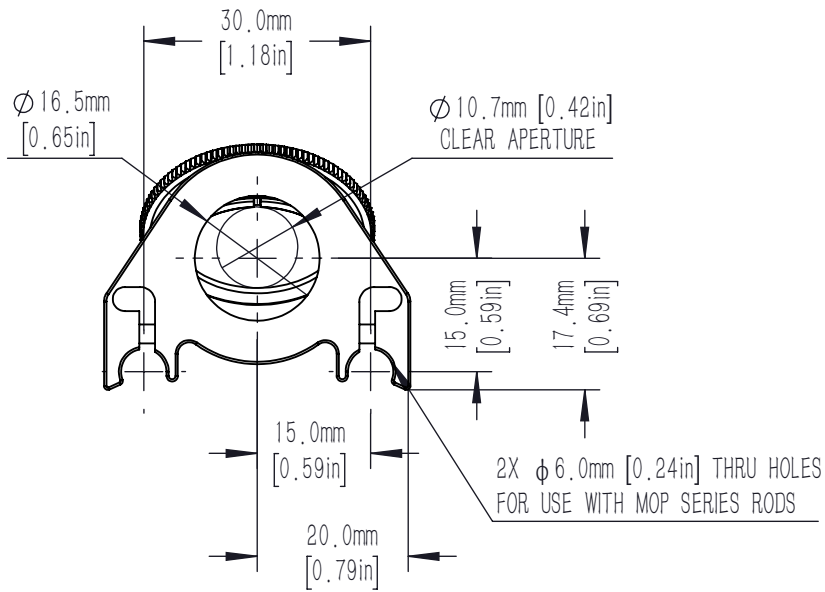
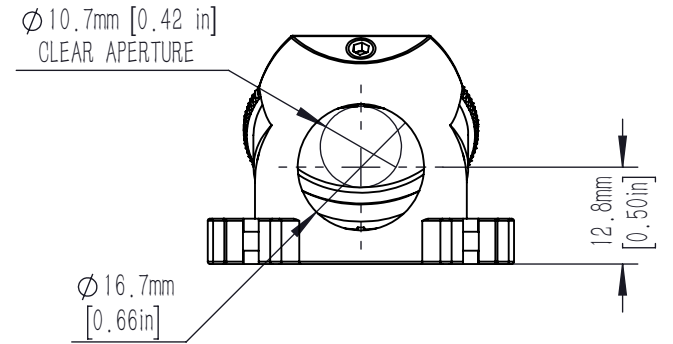
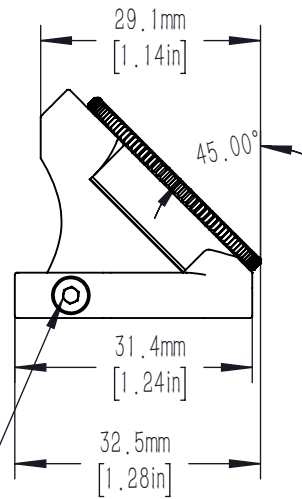


CAGE ROD LOCKING SCREW
2.0mm HEX
BOTH SIDES



SM1 (1.035"-40) SERIES INTERNAL THREAD THRU
TWO SM1R RETAINING RINGS INCLUDED
φ 23mm [0.91in] CLEAR APERTURE



DRAWING PROJECTION			LBTEK			
NAME	DATE	CRM45-1A				
DRAWN	CZH	DEC./13th/21	RIGHT ANGLE ROTATING ADJUSTMENT FRAME			
APPROVAL	ZXU	DEC./13th/21	MATERIAL	WEIGHT	SCALE	REV
FOR INFORMATION ONLY NOT FOR MANUFACTURING PURPOSES			N/A	0.020 Kg	1:1	B