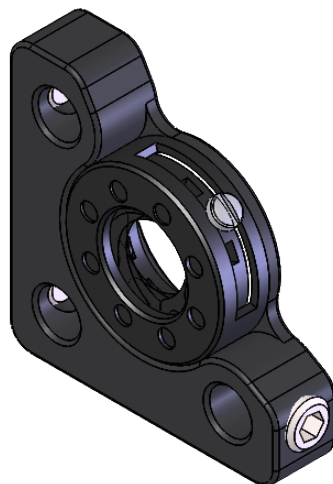
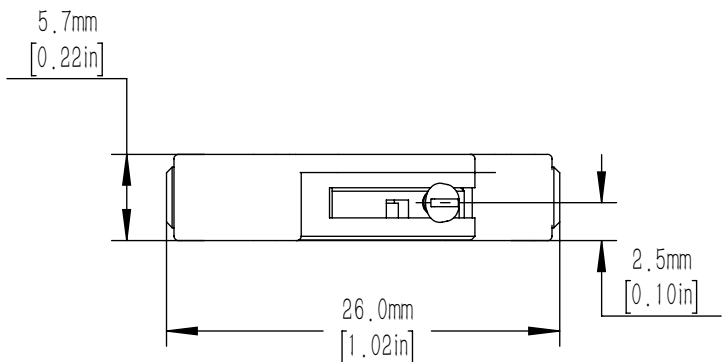


$\phi 0.16\text{in}$  [ $\phi 4.0\text{mm}$ ] CAGE ROD BORE  
 FOR USE WITH  $\phi 4\text{mm}$  SERIES RODS  
 (NOT INCLUDED)  
 3 PLACES



DRAWING PROJECTION			<b>LBTEK</b>			
	NAME	DATE				
DRAWN	HDE	Aug./16th/23	16mm CAGE MOUNTED IRIS			
APPROVAL	ZXU	Aug./16th/23	MATERIAL	WEIGHT	SCALE	REV
FOR INFORMATION ONLY NOT FOR MANUFACTURING PURPOSES			N/A	0.005 Kg	2:1	B