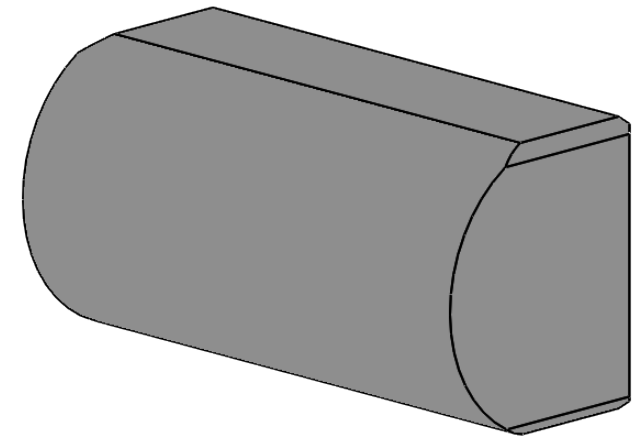


A-A



NOTES

1. MATERIAL: N-BK7
2. DESIGN WAVELENGTH: 587.6 nm
3. WORKING WAVELENGTH: 350 nm-2000 nm
4. FOCAL LENGTH: 4.0 mm
5. FOCAL LENGTH TOLERANCE(REF): $\pm 1\%$
6. BACK FOCAL LENGTH(REF): $bf=1.7$ mm
7. CLEAR APERTURE: $>90\%$ OF SURFACE LENGTH AND HEIGHT
8. DIAMETER TOLERANCE: $+0.0/-0.1$ mm
9. THICKNESS TOLERANCE: ± 0.2 mm
10. CHAMFER: 0.2 mm, 45°
11. SURFACE QUALITY: 60/40 SCRATCH/DIG
12. SURFACE FLATNESS(S1): $\lambda/2$
13. SURFACE POWER(S2): $3\lambda/2$
14. SURFACE IRREGULARITY(S2): λ (S2 H), λ (S2 L)
15. CENTRATION: ≤ 5 arcmin
16. COATING: WITHOUT AR COATING

DRAWING PROJECTION							
	NAME	DATE					
DRAWN	BSHU	JUL./29th/24		$H \times L = 4.0 \text{ mm} \times 8.0 \text{ mm}$, $f = 4.0 \text{ mm}$ PLANO CONVEX CYLINDRICAL LENS UNCOATED			
APPROVAL	WCHENG	JUL./29th/24		MATERIAL	WEIGHT	SCALE	REV
FOR INFORMATION ONLY NOT FOR MANUFACTURING PURPOSES				N-BK7	0.25g	10:1	B