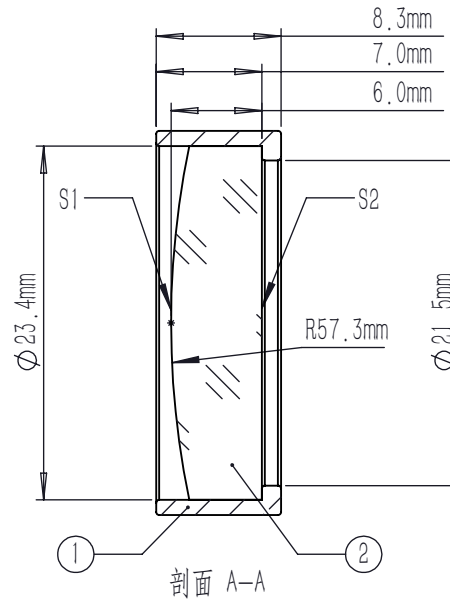
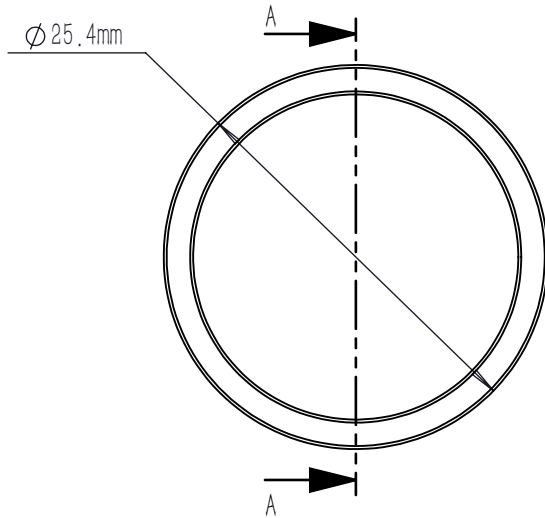


| | PART DESCRIPTION | MATERIAL |
|---|------------------------|----------|
| ① | LENS MOUNT | 6061-T6 |
| ② | ROUND CYLINDRICAL LENS | UVFS |



NOTES:

- DESIGN WAVELENGTH: 587.6 nm
- OPERATION WAVELENGTH: 190 nm-2.1 μm
- DIAMETER TOLERANCE: +0.0/-0.1 mm
- THICKNESS TOLERANCE: ±0.1 mm
- FOCAL LENGTH: $f=125.0 \text{ mm} \pm 1\%$
- BACK FOCAL LENGTH(REF): $bf=120.9 \text{ mm}$
- CLEAR APERTURE: >90%CA
- SURFACE QUALITY(S/D)(S1,S2): 40/20
- SURFACE FLATNESS(S2): $\lambda/2 @ 632.8 \text{ nm}$
- SURFACE POWER(S1): $3 \lambda/2 @ 632.8 \text{ nm}$
- SURFACE IRREGULARITY(S1): $\lambda/4 @ 632.8 \text{ nm}$
- CENTRATION: <3 arcmin
- CHAMFER: <0.2 mm, 45°
- COATING(S1,S2): UNCOATED

| DRAWING PROJECTION | | | | LBTEK | | | |
|--------------------------------------------------------|--------|-------------|-------------------------------|--------------|-------|-----|--|
| | | NAME | DATE | CY207R-F125 | | | |
| DRAWN | SHAN | MAY./7th/25 | PLANO CONVEX CYLINDRICAL LENS | | | | |
| APPROVAL | WCHENG | MAY./7th/25 | MATERIAL | WEIGHT | SCALE | REV | |
| FOR INFORMATION ONLY NOT FOR MANUFACTURING PURPOSES | | | N/A | 7.32g | 2:1 | A | |