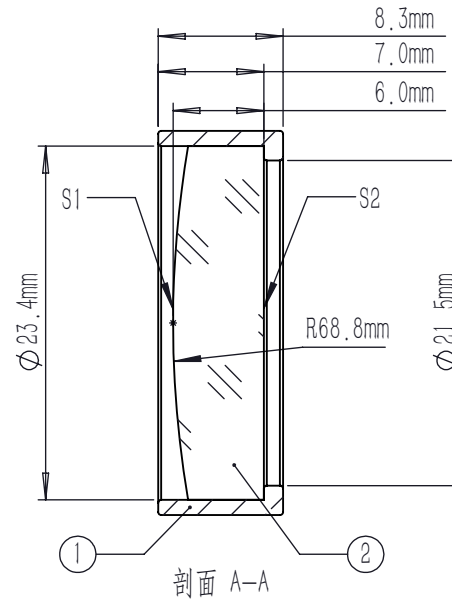
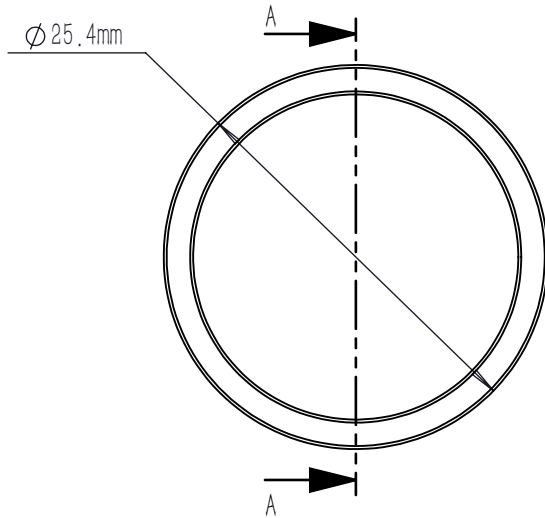


	PART DESCRIPTION	MATERIAL
①	LENS MOUNT	6061-T6
②	ROUND CYLINDRICAL LENS	UVFS



NOTES:

- DESIGN WAVELENGTH: 587.6 nm
- OPERATION WAVELENGTH: 190 nm-2.1  $\mu$ m
- DIAMETER TOLERANCE: +0.0/-0.1 mm
- THICKNESS TOLERANCE:  $\pm$ 0.1 mm
- FOCAL LENGTH:  $f=150.0$  mm  $\pm$ 1%
- BACK FOCAL LENGTH(REF):  $bf=145.9$  mm
- CLEAR APERTURE:  $>90\%$ CA
- SURFACE QUALITY(S/D)(S1,S2): 40/20
- SURFACE FLATNESS(S2):  $\lambda/2$  @ 632.8 nm
- SURFACE POWER(S1):  $3\lambda/2$  @ 632.8 nm
- SURFACE IRREGULARITY(S1):  $\lambda/4$  @ 632.8 nm
- CENTRATION:  $<3$  arcmin
- CHAMFER:  $<0.2$  mm,  $45^\circ$
- COATING(S1,S2): UNCOATED

DRAWING PROJECTION				<b>LBTEK</b>			
				CY207R-F150			
DRAWN	SHAN	MAY./7th/25	PLANO CONVEX CYLINDRICAL LENS				
APPROVAL	WCHENG	MAY./7th/25	MATERIAL	WEIGHT	SCALE	REV	
FOR INFORMATION ONLY NOT FOR MANUFACTURING PURPOSES			N/A	7.37g	2:1	A	