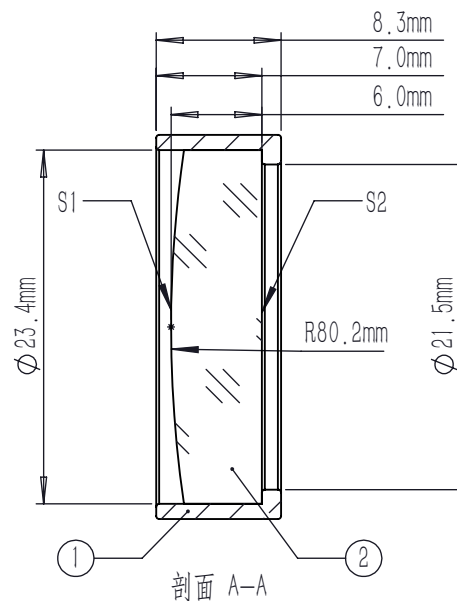
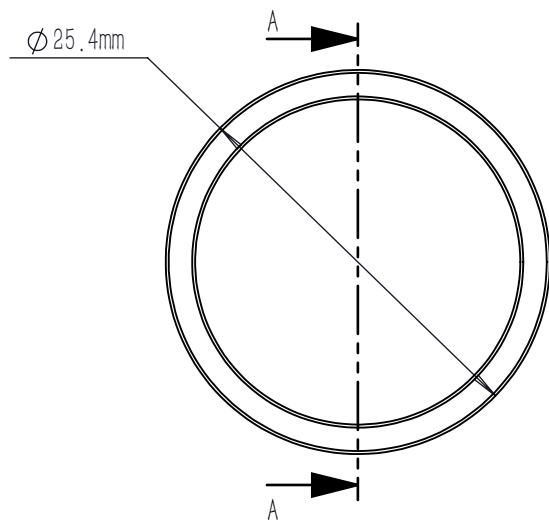


|   | PART DESCRIPTION       | MATERIAL |
|---|------------------------|----------|
| ① | LENS MOUNT             | 6061-T6  |
| ② | ROUND CYLINDRICAL LENS | UVFS     |



NOTES:

1. DESIGN WAVELENGTH: 587.6 nm
2. OPERATION WAVELENGTH: 190 nm-2.1  $\mu$ m
3. DIAMETER TOLERANCE: +0.0/-0.1 mm
4. THICKNESS TOLERANCE:  $\pm$ 0.1 mm
5. FOCAL LENGTH:  $f=175.0$  mm $\pm$ 1%
6. BACK FOCAL LENGTH(REF):  $bf=170.9$  mm
7. CLEAR APERTURE: >90%CA
8. SURFACE QUALITY(S/D)(S1,S2): 40/20
9. SURFACE FLATNESS(S2):  $\lambda/2$  @ 632.8 nm
10. SURFACE POWER(S1):  $3\lambda/2$  @ 632.8 nm
11. SURFACE IRREGULARITY(S1):  $\lambda/4$  @ 632.8 nm
12. CENTRATION: <3 arcmin
13. CHAMFER: <0.2 mm, 45°
14. COATING(S1,S2): UNCOATED

| DRAWING PROJECTION                                     |        |             |                               | <b>LBTEK</b> |       |     |  |
|--|--------|-------------|-------------------------------|--------------|-------|-----|--|
|  |        |             |                               | CY207R-F175  |       |     |  |
| DRAWN  | SHAN   | MAY./7th/25 | PLANO CONVEX CYLINDRICAL LENS |              |       |     |  |
| APPROVAL   | WCHENG | MAY./7th/25 | MATERIAL                      | WEIGHT       | SCALE | REV |  |
| FOR INFORMATION ONLY<br>NOT FOR MANUFACTURING PURPOSES |        |             | N/A                           | 7.40g        | 2:1   | A   |  |