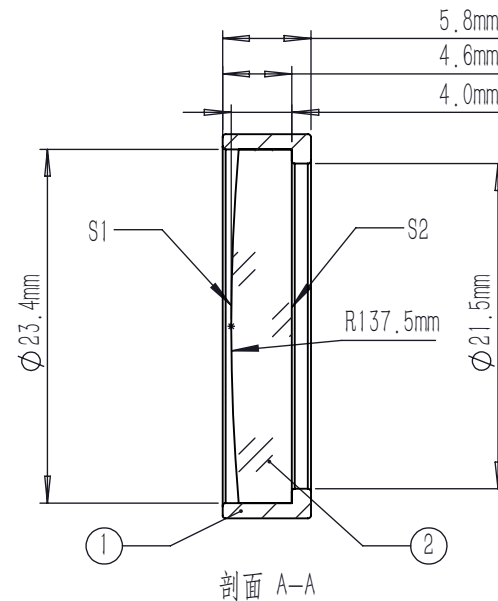
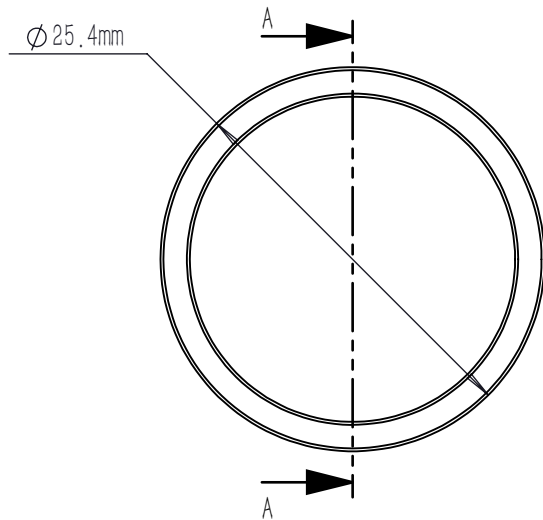


	PART DESCRIPTION	MATERIAL
①	LENS MOUNT	6061-T6
②	ROUND CYLINDRICAL LENS	UVFS



NOTES:

1. DESIGN WAVELENGTH: 587.6 nm
2. OPERATION WAVELENGTH: 245 nm-400 nm
3. DIAMETER TOLERANCE: +0.0/-0.1 mm
4. THICKNESS TOLERANCE: ±0.1 mm
5. FOCAL LENGTH: $f=300.0 \text{ mm} \pm 1\%$
6. BACK FOCAL LENGTH(REF): $bf=297.3 \text{ mm}$
7. CLEAR APERTURE: >90%CA
8. SURFACE QUALITY(S/D)(S1, S2): 40/20
9. SURFACE FLATNESS(S2): $\lambda/2 @ 632.8 \text{ nm}$
10. SURFACE POWER(S1): $3\lambda/2 @ 632.8 \text{ nm}$
11. SURFACE IRREGULARITY(S1): $\lambda/4 @ 632.8 \text{ nm}$
12. CENTRATION: <3 arcmin
13. CHAMFER: <0.2 mm, 45°
14. AR COATING(S1, S2): $R_{avg} < 0.5\% @ 245 \text{ nm}-400 \text{ nm}$ (6° AOI, single)

DRAWING PROJECTION			LBTEK			
NAME	DATE	CY207R-F300-UV				
DRAWN	SHAN	MAY./7th/25	PLANO CONVEX CYLINDRICAL LENS			
APPROVAL	WCHENG	MAY./7th/25	MATERIAL	WEIGHT	SCALE	REV
FOR INFORMATION ONLY NOT FOR MANUFACTURING PURPOSES			N/A	5.09g	2:1	A