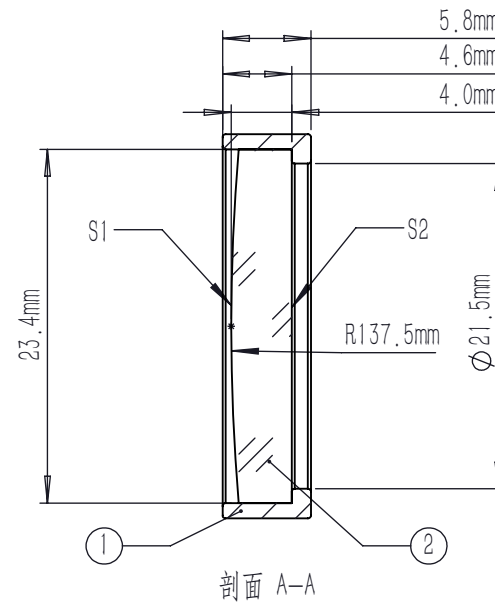
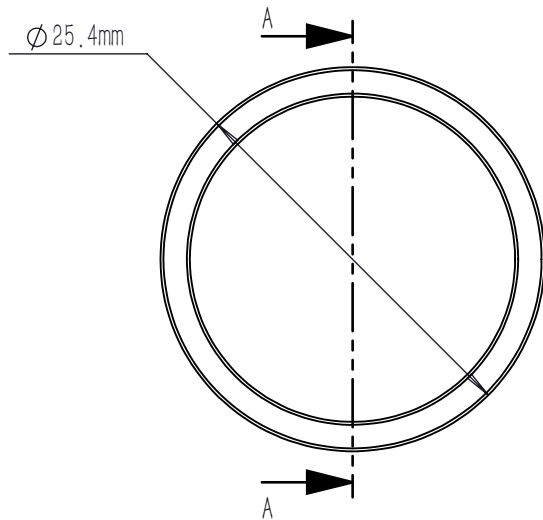


	PART DESCRIPTION	MATERIAL
①	LENS MOUNT	6061-T6
②	ROUND CYLINDRICAL LENS	UVFS



NOTES:

- DESIGN WAVELENGTH: 587.6 nm
- OPERATION WAVELENGTH: 190 nm-2.1  $\mu\text{m}$
- DIAMETER TOLERANCE: +0.0/-0.1 mm
- THICKNESS TOLERANCE:  $\pm 0.1$  mm
- FOCAL LENGTH:  $f=300.0$  mm  $\pm 1\%$
- BACK FOCAL LENGTH(REF):  $bf=297.3$  mm
- CLEAR APERTURE:  $>90\%$  CA
- SURFACE QUALITY(S/D)(S1, S2): 40/20
- SURFACE FLATNESS(S2):  $\lambda/2 @ 632.8$  nm
- SURFACE POWER(S1):  $3\lambda/2 @ 632.8$  nm
- SURFACE IRREGULARITY(S1):  $\lambda/4 @ 632.8$  nm
- CENTRATION:  $<3$  arcmin
- CHAMFER:  $<0.2$  mm,  $45^\circ$
- COATING(S1, S2): UNCOATED

DRAWING PROJECTION			<b>LBTEK</b>			
	NAME	DATE				
DRAWN	SHAN	MAY./7th/25	PLANO CONVEX CYLINDRICAL LENS			
APPROVAL	WCHENG	MAY./7th/25	MATERIAL	WEIGHT	SCALE	REV
FOR INFORMATION ONLY NOT FOR MANUFACTURING PURPOSES			N/A	5.09g	2:1	A