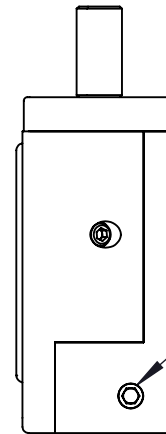
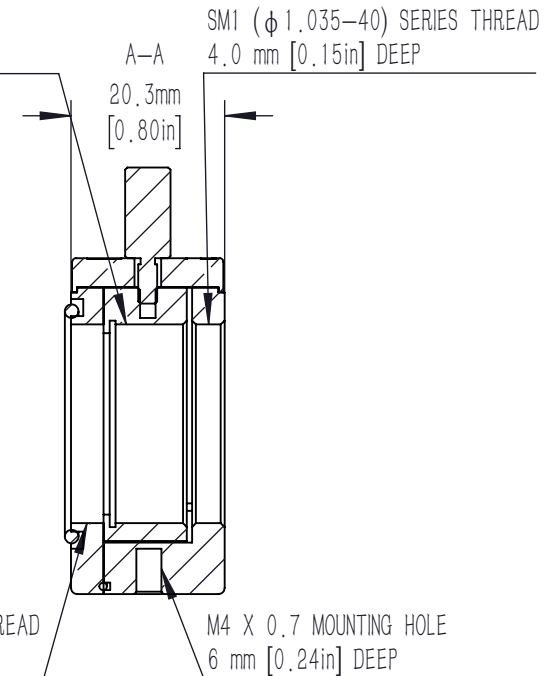


SM1 (1.035"-40) SERIES INTERNAL THREAD THRU
SM1R RETAINING RINGS INCLUDED
 ϕ 23mm [0.91in] CLEAR APERTUR



SM1 (ϕ 1.035-40) SERIES THREAD
4.0 mm [0.15in] DEEP



DRAWING PROJECTION			LBTEK			
	NAME	DATE				
DRAWN	CZH	MAR./6th/20	DETACHABLE FILTER MOUNT			
APPROVAL	ZXU	MAR./6th/20	MATERIAL	WEIGHT	SCALE	REV
FOR INFORMATION ONLY NOT FOR MANUFACTURING PURPOSES			N/A	0.076 Kg	1:1	B