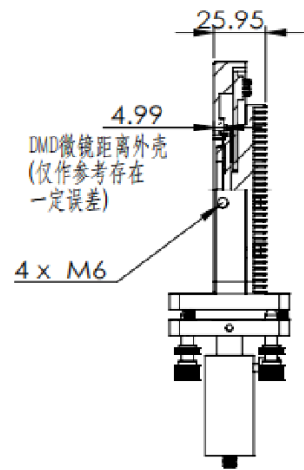
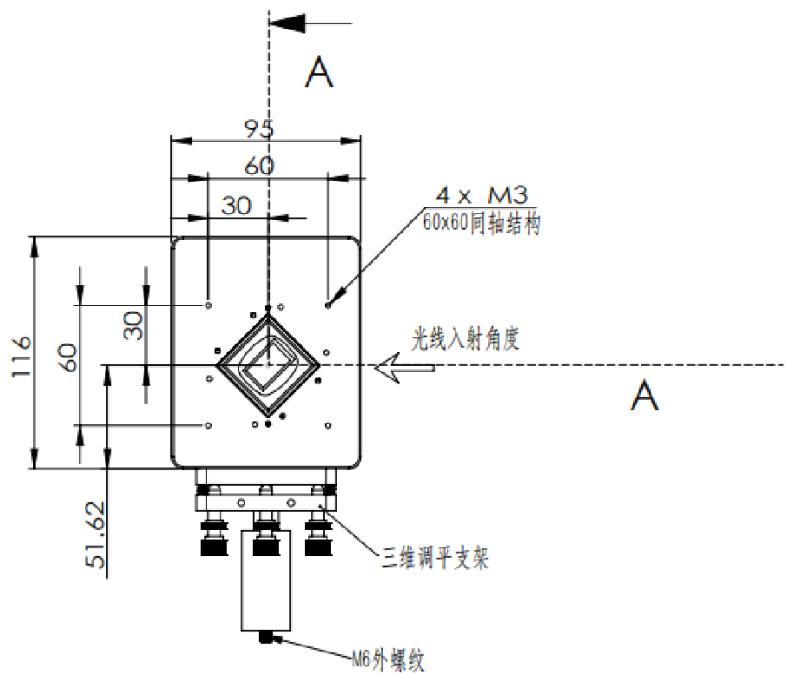


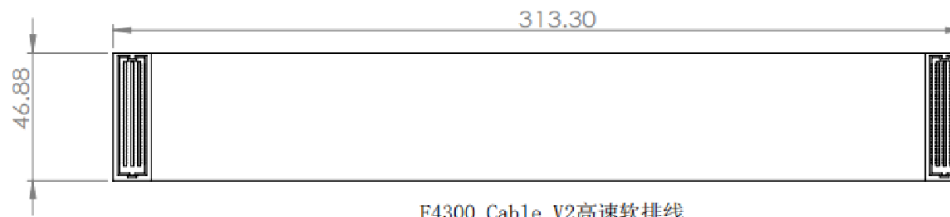
F4300_Cable_V2高速软排线



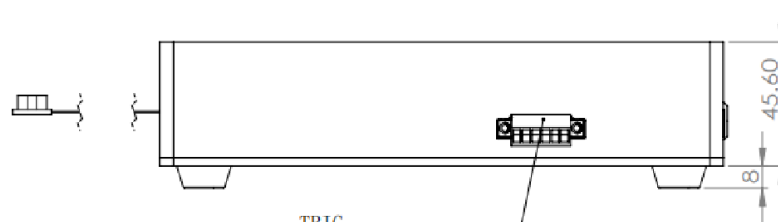
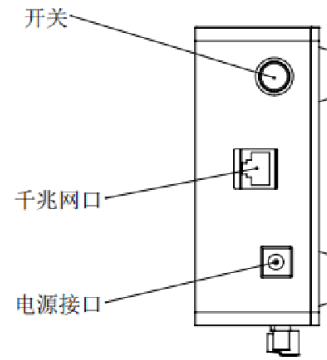
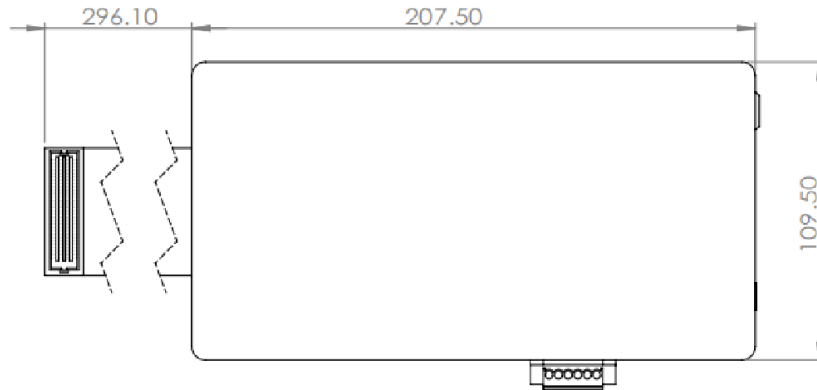
剖面 A-A

单位: mm

DRAWING PROJECTION			LBTEK			
	NAME	DATE				
DRAWN	TANJUN	MAR./15th/26	DMD SLM			
APPROVAL	ZHONGJIEW	MAR./15th/26	MATERIAL	WEIGHT	SCALE	REV
FOR INFORMATION ONLY NOT FOR MANUFACTURING PURPOSES				g	1:10	



F4300_Cable_V2高速软排线



TRIG
 从左到右分别对应
 GND、IN2、IN1、
 OUT2、OUT1、5.0V
 详细介绍参考说明书

单位: mm

DRAWING PROJECTION			LBTEK			
	NAME	DATE				
DRAWN	TANJUN	MAR./15th/26	DMD SLM			
APPROVAL	ZHONGJIEW	MAR./15th/26	MATERIAL	WEIGHT	SCALE	REV
FOR INFORMATION ONLY NOT FOR MANUFACTURING PURPOSES				g	1:10	