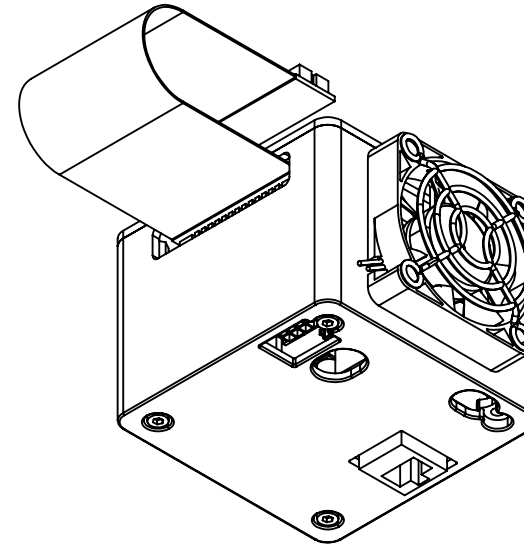
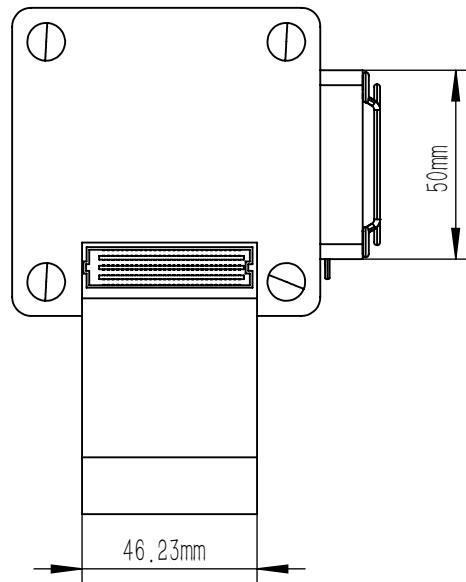
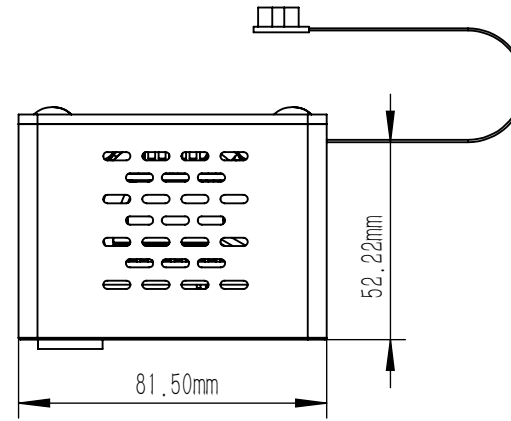
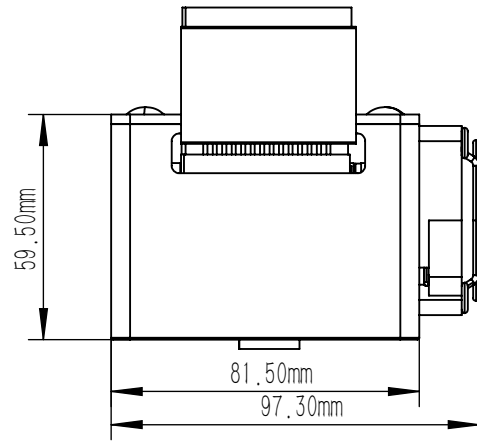


剖面 A-A

DRAWING PROJECTION			LBTEK			
	NAME	DATE				
DRAWN	TANJUN	MAR./15th/26	DMD SLM			
APPROVAL	ZHONGJIEW	MAR./15th/26	MATERIAL	WEIGHT	SCALE	REV
FOR INFORMATION ONLY NOT FOR MANUFACTURING PURPOSES				g	1:10	



DRAWING PROJECTION				LBTEK			
	NAME	DATE					
DRAWN	TANJUN	MAR./6th/20	DMSLM				
APPROVAL	ZHONGJIEW	MAR./6th/20	MATERIAL	WEIGHT	SCALE	REV	
FOR INFORMATION ONLY NOT FOR MANUFACTURING PURPOSES					g	1:2	