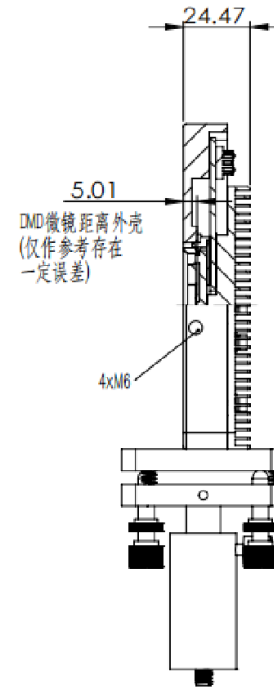
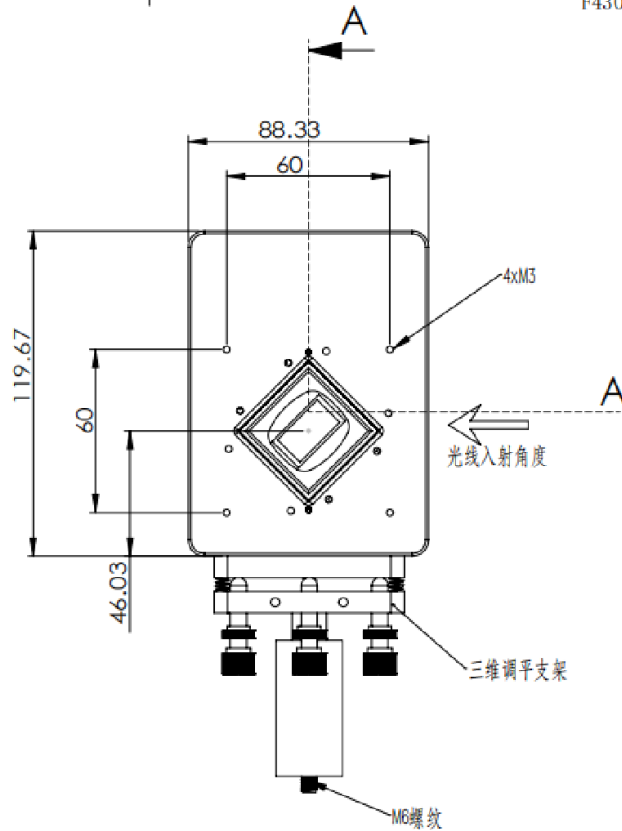


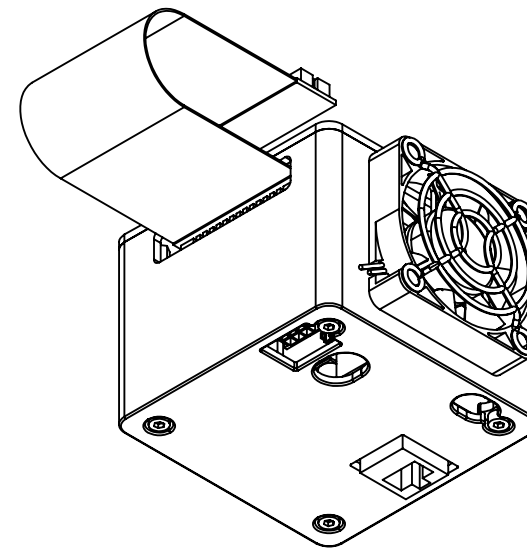
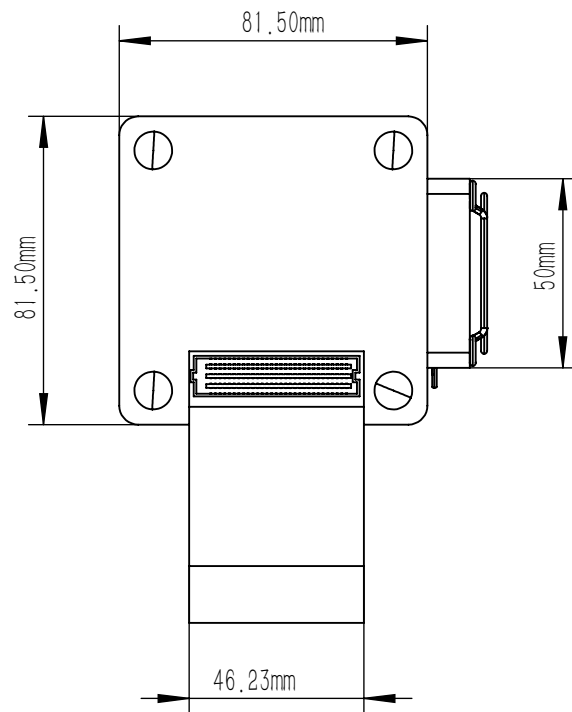
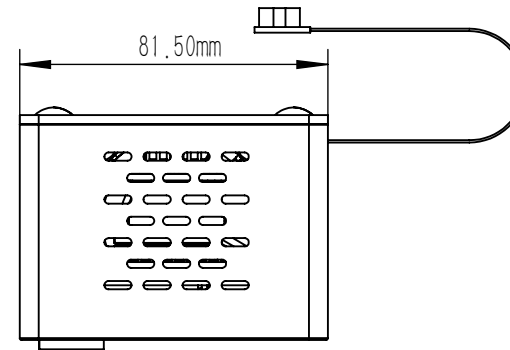
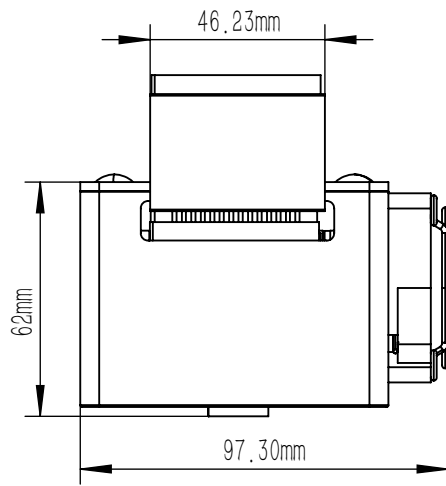
F4300_Cable_V2高速软排线



剖面 A-A

单位: mm

DRAWING PROJECTION			LBTEK			
	NAME	DATE				
DRAWN	TANJUN	MAR./6th/20	DMDSL			
APPROVAL	ZHONGJIEW	MAR./6th/20	MATERIAL	WEIGHT	SCALE	REV
FOR INFORMATION ONLY NOT FOR MANUFACTURING PURPOSES				g	1:2	



DRAWING PROJECTION			LBTEK			
	NAME	DATE				
DRAWN	TANJUN	MAR./6th/20	DMDSL			
APPROVAL	ZHONGJIEW	MAR./6th/20	MATERIAL	WEIGHT	SCALE	REV
FOR INFORMATION ONLY NOT FOR MANUFACTURING PURPOSES				g	1:2	