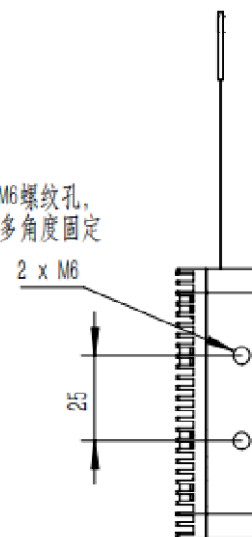
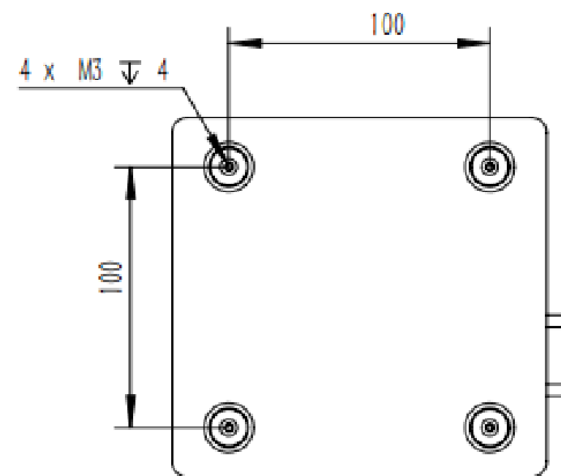
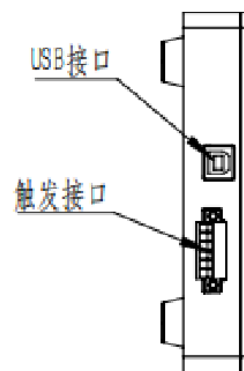
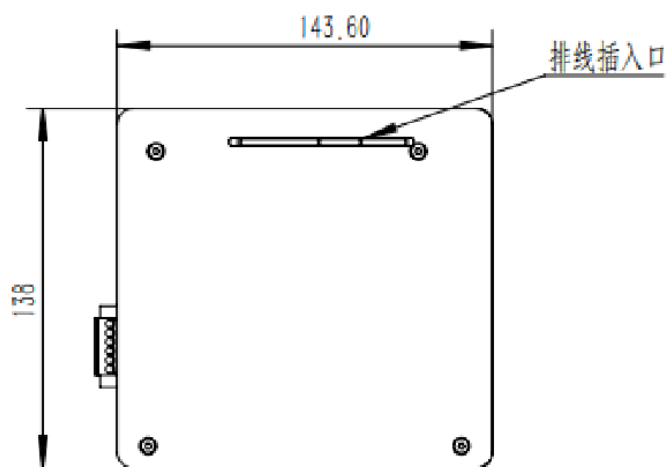
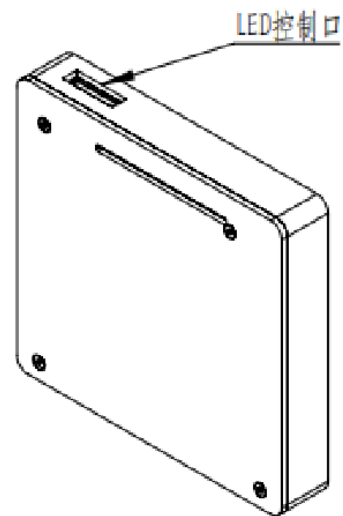
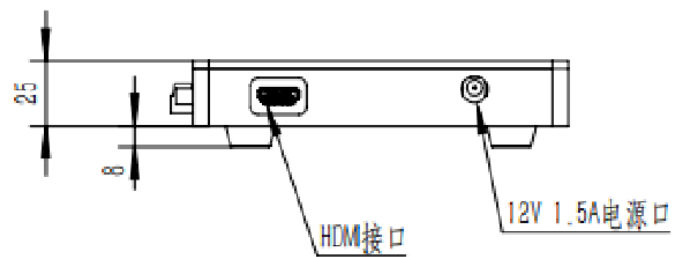


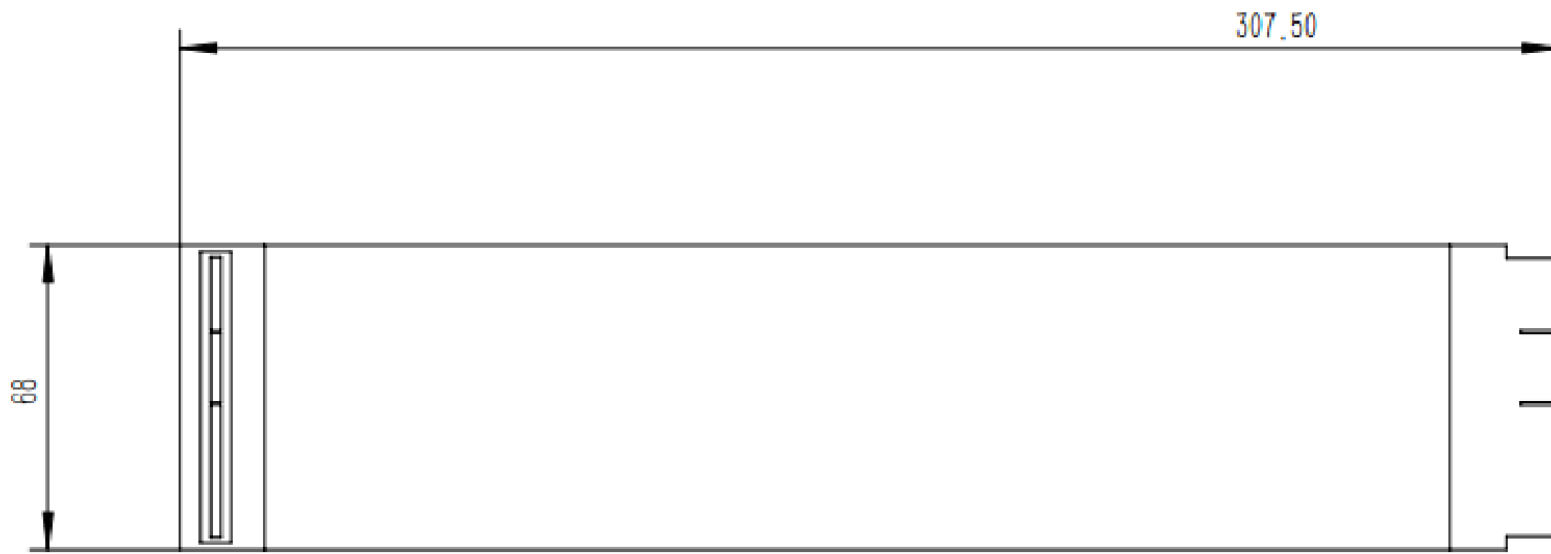
侧面M6螺纹孔,
方便多角度固定



| | | | | | | |
|--------------------------------------------------------|-----------|--------------|--------------|--------|-------|-----|
| DRAWING PROJECTION | | | LBTEK | | | |
| | NAME | DATE | | | | |
| DRAWN | TANJUN | MAR./15th/26 | DMD SLM | | | |
| APPROVAL | ZHONGJIEW | MAR./15th/26 | MATERIAL | WEIGHT | SCALE | REV |
| FOR INFORMATION ONLY NOT FOR MANUFACTURING PURPOSES | | | | g | 1:10 | |



| | | | | | | |
|--------------------------------------------------------|-----------|--------------|--------------|--------|-------|-----|
| DRAWING PROJECTION | | | LBTEK | | | |
| | NAME | DATE | | | | |
| DRAWN | TANJUN | MAR./15th/26 | DMD SLM | | | |
| APPROVAL | ZHONGJIEW | MAR./15th/26 | MATERIAL | WEIGHT | SCALE | REV |
| FOR INFORMATION ONLY NOT FOR MANUFACTURING PURPOSES | | | | g | 1:10 | |



| | | | | | | | |
|--------------------------------------------------------|-----------|--------------|----------|--------------|-------|-----|--|
| DRAWING PROJECTION | | | | LBTEK | | | |
| | NAME | DATE | | | | | |
| DRAWN | TANJUN | MAR./15th/26 | DMD SLM | | | | |
| APPROVAL | ZHONGJIEW | MAR./15th/26 | MATERIAL | WEIGHT | SCALE | REV | |
| FOR INFORMATION ONLY NOT FOR MANUFACTURING PURPOSES | | | | g | 1:10 | | |