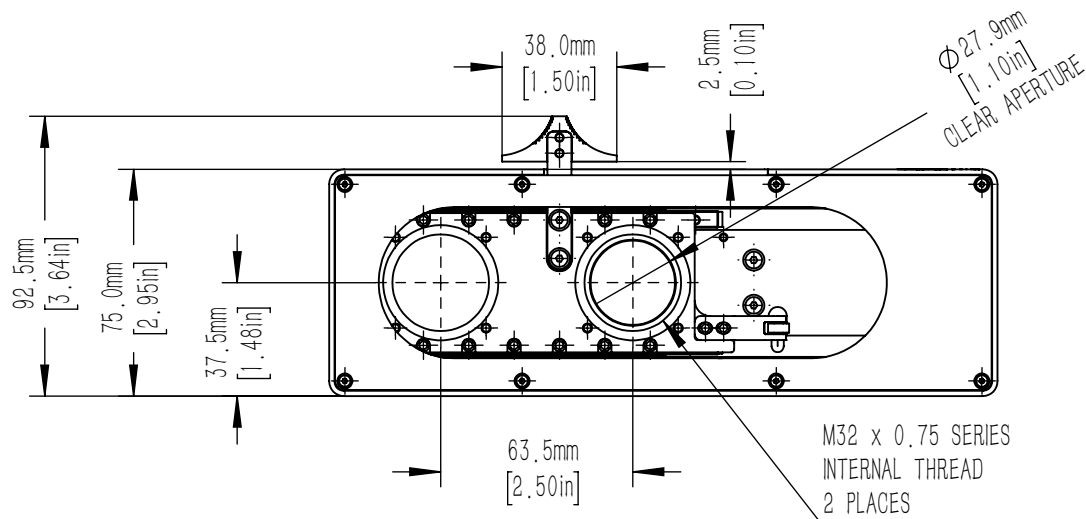
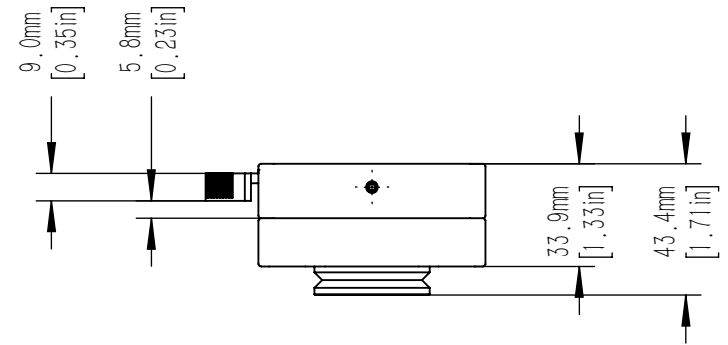
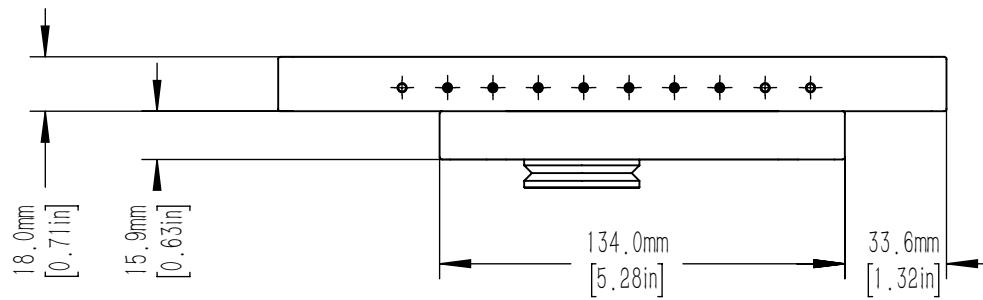
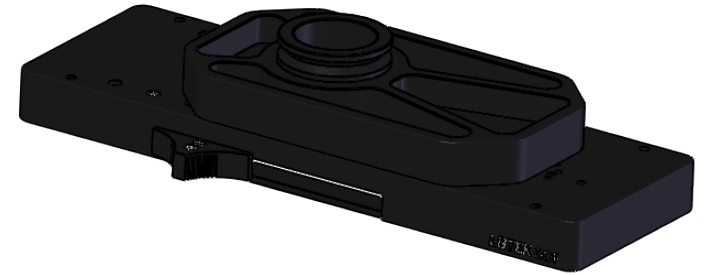


OBJECTIVE SLIDER HANDLE

DIT MALE DOVETAIL



Ø27.9mm  
[1.10in]  
CLEAR APERTURE

M32 x 0.75 SERIES  
INTERNAL THREAD  
2 PLACES

DRAWING PROJECTION				<b>LBTEK</b>			
	NAME	DATE	DOF				
DRAWN	SSO	MAR./6th/24	DOUBLE OBJECTIVE LENS MOUNTING FRAME				
APPROVAL	HDE	MAR./6th/24	MATERIAL	WEIGHT	SCALE	REV	
FOR INFORMATION ONLY NOT FOR MANUFACTURING PURPOSES			N/A	0.700 Kg	2.5	A	