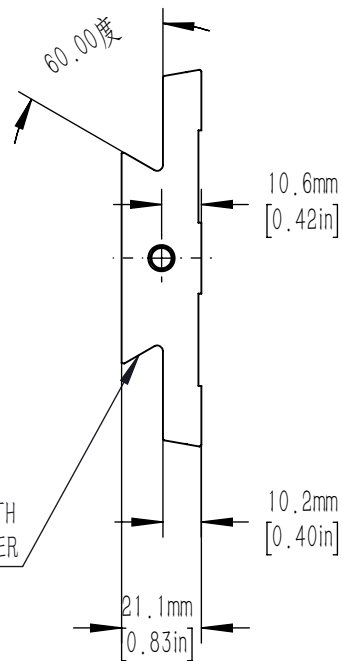
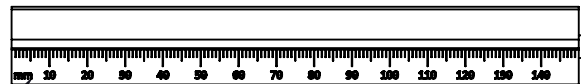
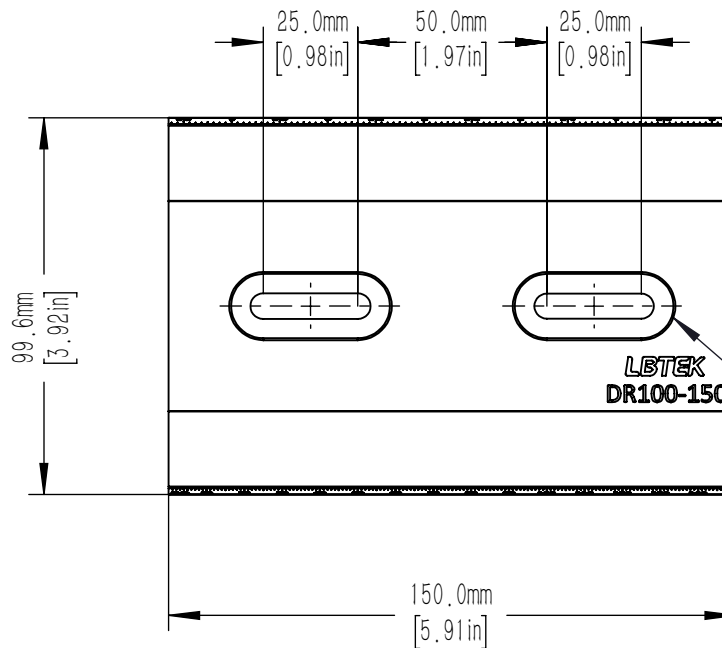


LASER ENGRAVING GRADUATIONS PER 10mm
FOR MORE ACCURATE ADJUSTMENTS
1 mm RESOLUTION



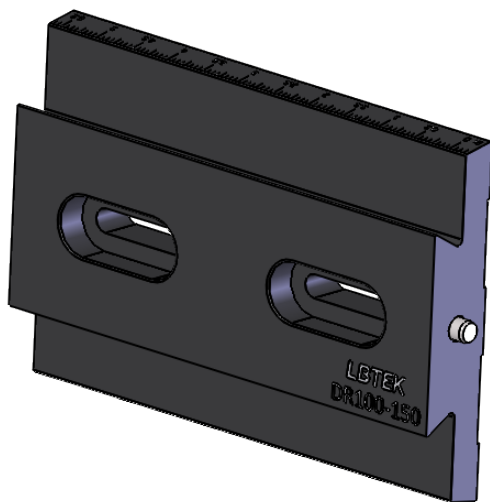
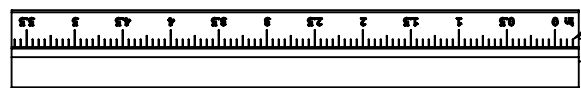
DOVETAIL FOR USE WITH
DR100F SERIES CARRIER



DOVEL PIN FOR
RAIL CONNECTING

WAIST SHAPE HOLE FOR USE WITH
M6 [1/4in] CAP SCREW
2 PLACES

LASER ENGRAVING GRADUATIONS PER 0.5in
FOR MORE ACCURATE ADJUSTMENTS
1/16 in RESOLUTION



| | | | | | | |
|--|------|--------------|--|----------|-------|-----|
| DRAWING PROJECTION | | | LBTEK | | | |
| | NAME | DATE | | | | |
| DRAWN | SSO | JUN./25th/23 | PRECISION 100MM DOVETAIL-TYPE OPTICAL GUIDE RAIL | | | |
| APPROVAL | ZXU | JUN./25th/23 | MATERIAL | WEIGHT | SCALE | REV |
| FOR INFORMATION ONLY NOT FOR MANUFACTURING PURPOSES | | | ALUMINIUM | 0.569 Kg | 1:2 | B |