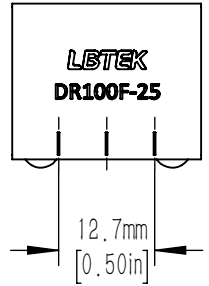
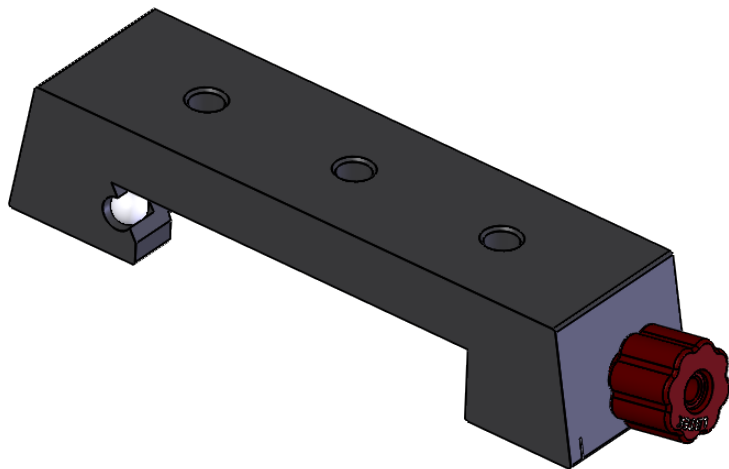
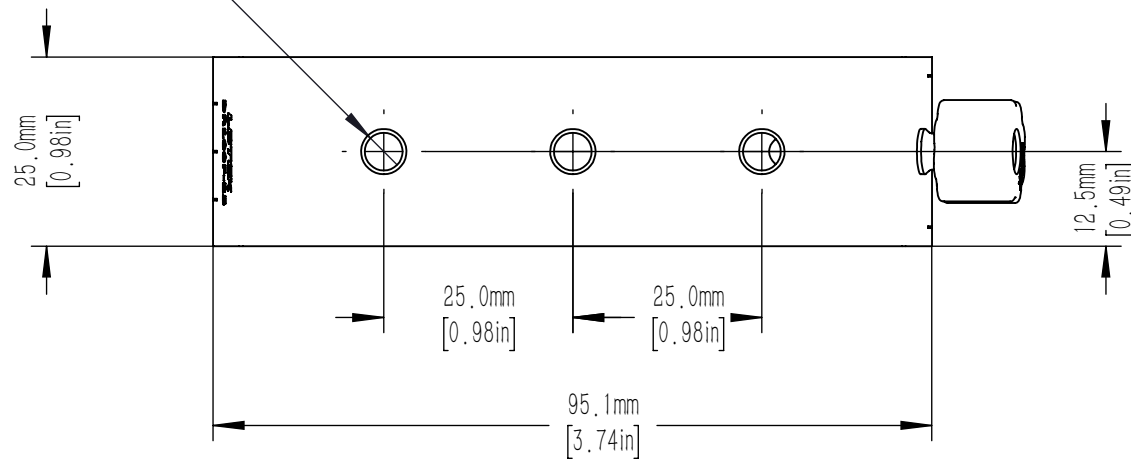


SPRING LOADED
M6 x 1 THUMBSCREW
TO LOCK CARRIER
IN PLACE



3 x M6 - 6H
Ø 5.000mm [0.20in]



DRAWING PROJECTION			LBTEK			
NAME	DATE	DR100F-25				
DRAWN	SSO	JUN./25th/23	PRECISIO 100 MM DOVETAIL TYPE OPTICAL RAIL SOLIDE BLOCK			
APPROVAL	ZXU	JUN./25th/23	MATERIAL	WEIGHT	SCALE	REV
FOR INFORMATION ONLY NOT FOR MANUFACTURING PURPOSES			ALUMINIUM	0.084 Kg	1:2	B