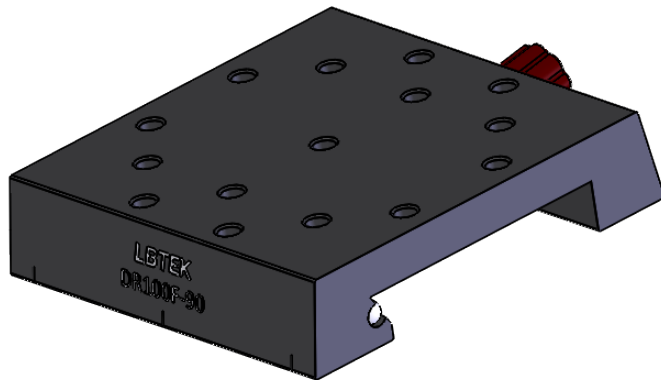
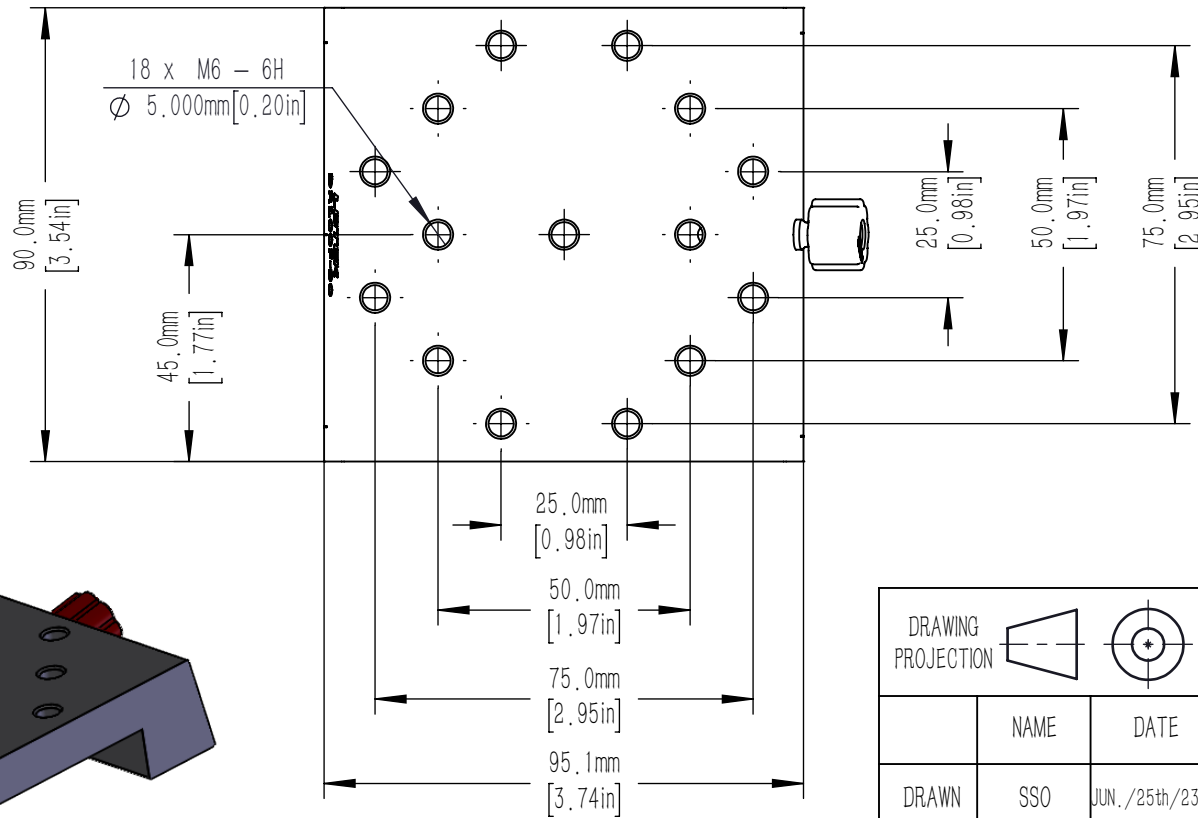
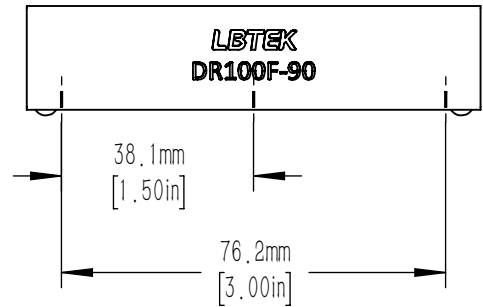


SPRING LOADED
M6 x 1 THUMBSCREW
TO LOCK CARRIER
IN PLACE



DRAWING PROJECTION			LBTEK			
	NAME	DATE				
DRAWN	SSO	JUN./25th/23	PRECISIO 100 MM DOVETAIL TYPE OPTICAL RAIL SOLIDE BLOCK			
APPROVAL	ZXU	JUN./25th/23	MATERIAL	WEIGHT	SCALE	REV
FOR INFORMATION ONLY NOT FOR MANUFACTURING PURPOSES			ALUMINIUM	0.293 Kg	2:3	B