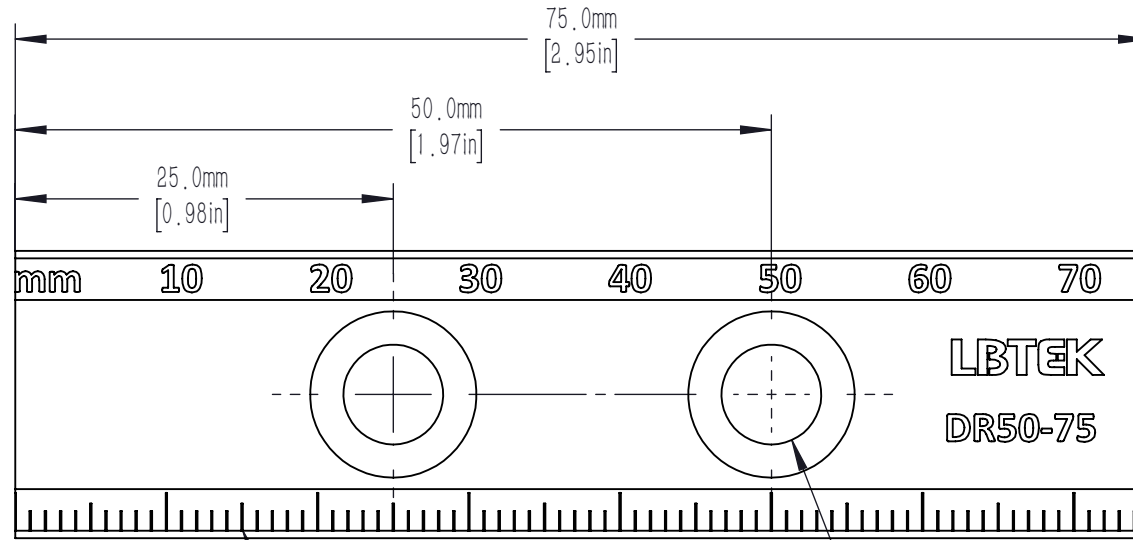


DOVETAIL FOR USE WITH DR50F SERIES CARRIER



LASER ENGRAVING GRADUATIONS PER 10mm FOR MORE ACCURATE ADJUSTMENTS 1 mm RESOLUTION

COUNTERBORE HOLE FOR USE WITH M6 [1/4in] CAP SCREW 2 PLACES

DOVEL PIN FOR RAIL CONNECTING

DRAWING PROJECTION			LBTEK www.lbtek.com			
	NAME	DATE				
DRAWN	BYIN	JUN./25th/19	75mm OPTICAL DOVETAIL RAIL			
APPROVAL	LDAI	JUN./25th/19	MATERIAL	WEIGHT	SCALE	REV
FOR INFORMATION ONLY NOT FOR MANUFACTURING PURPOSES			ALUMINIUM	0.026 Kg	2:1	A