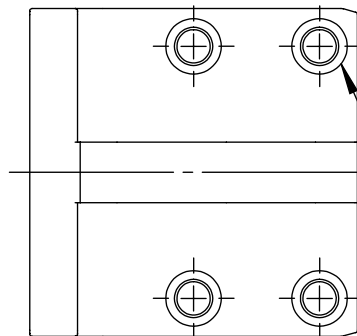
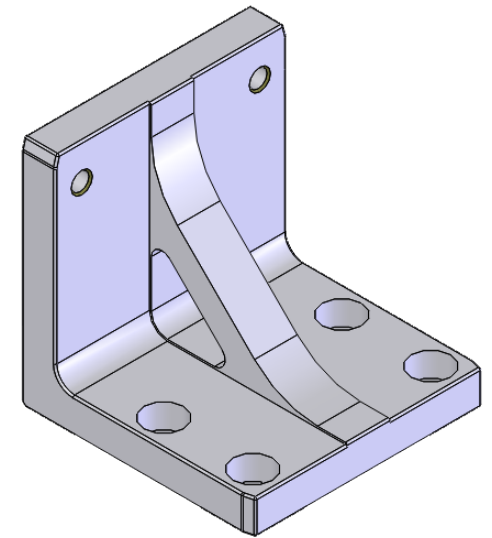


4 x M6 - 6H ∇ 12.000mm [0.47in]
 \varnothing 5.000mm [0.20in] ∇ 15.000mm [0.59in]



4xCOUNTERBORED HOLES
 TO SUIT M6 HEXAGON SOCKET HEAD CAP SCREW
 FOR EM-LSS65-30C1 STAGE CONNECTING4 PLAC

DRAWING PROJECTION			LBTEK			
	NAME	DATE				
DRAWN	HDE	SEP./16th/22	Z-AXIS MOUNTING BRACKET			
APPROVAL	ZXU	SEP./16th/22	MATERIAL	WEIGHT	SCALE	REV
FOR INFORMATION ONLY NOT FOR MANUFACTURING PURPOSES			STAINLESS STEEL	0.20 Kg	2.3	B