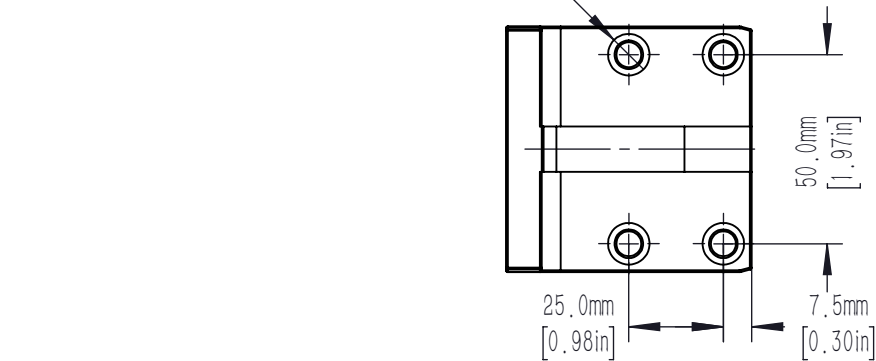
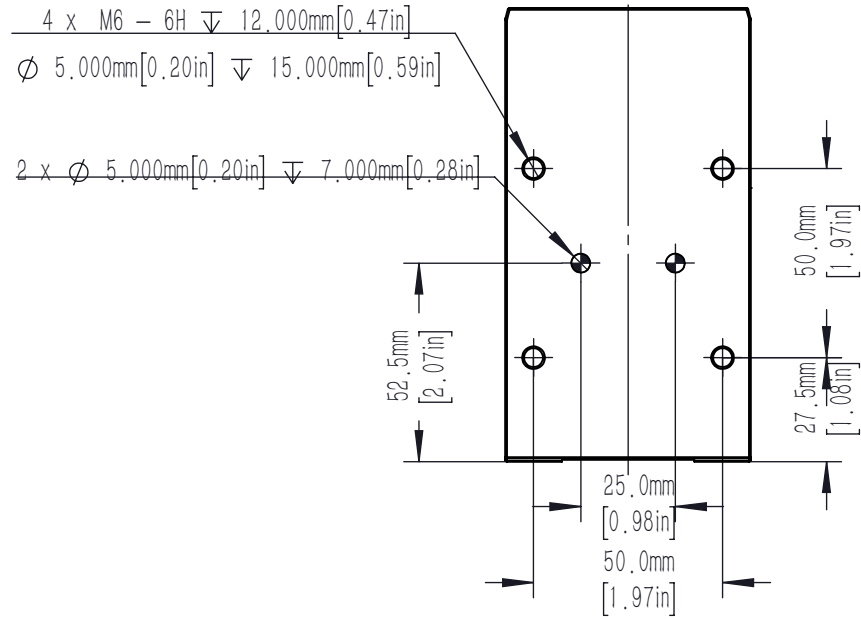
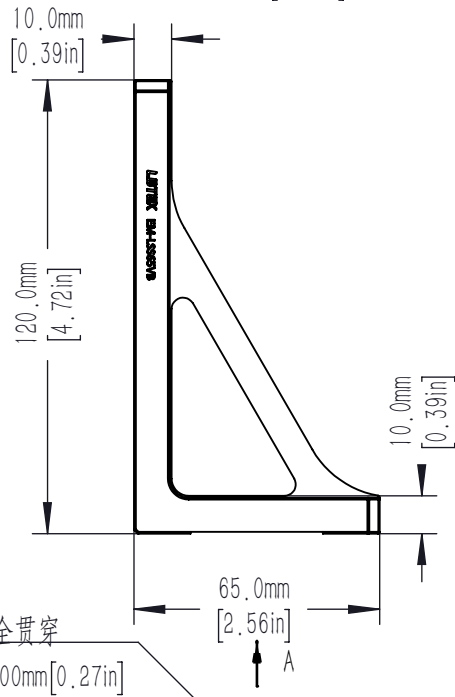
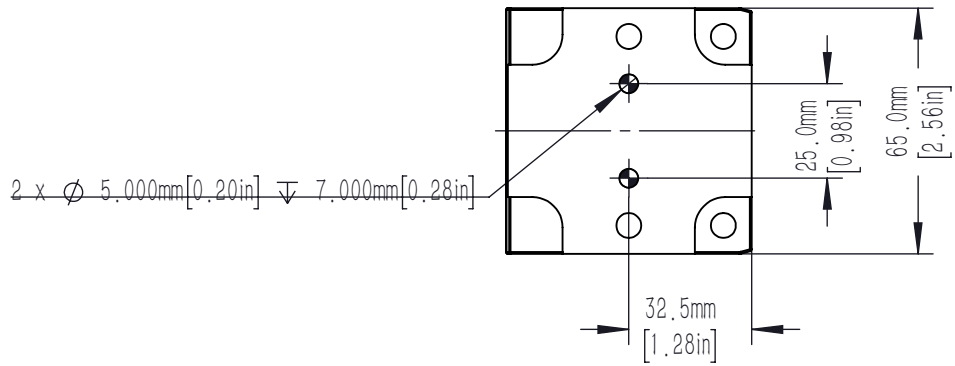


视图 A



DRAWING PROJECTION			LBTEK			
	NAME	DATE				
DRAWN	YWE	JAN./9th/24	THREE AXIS ADAPTER			
APPROVAL	HDE	JAN./9th/24	MATERIAL	WEIGHT	SCALE	REV
FOR INFORMATION ONLY NOT FOR MANUFACTURING PURPOSES			N/A	0.30 Kg	1:2	B