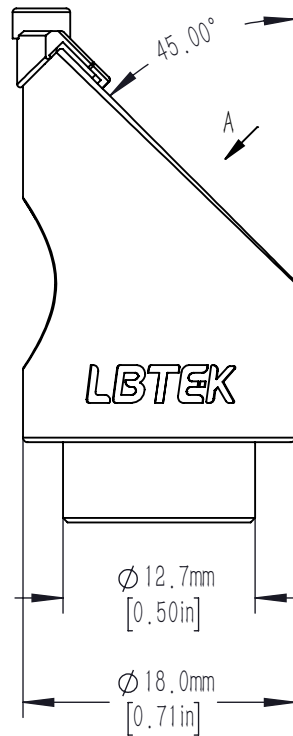
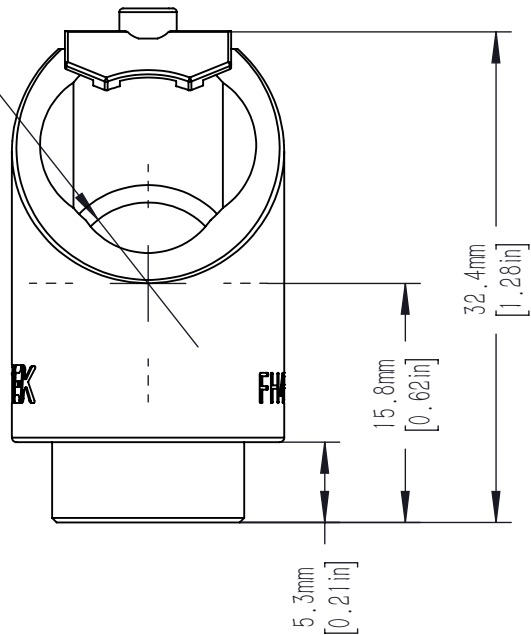
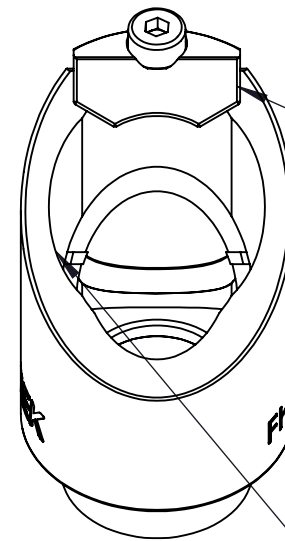


Ø 10.7mm
[0.42in]
CLEAR APERTURE



VIEW A
45.00°



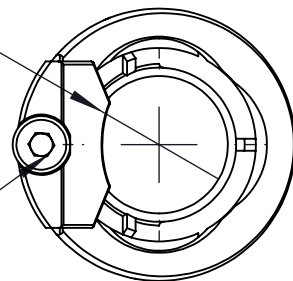
ADJUSTABLE OPTIC CLAMP

INSTALLING LONG AXIS 18mm[0.7in]
SHORT SHAFT 12.7mm [0.5in]
OPTICS MINIMUM THICKNESS 6mm[0.23in]



Ø 9.1mm
[0.36in]
CLEAR APERTURE

M2x4 REMOVABLE CLAMPING SCREW
1.5mm HEX (INCLUDED)



DRAWING PROJECTION			LBTEK			
	NAME	DATE				
DRAWN	ZZH	FEB./19th/24	FIXED 45° MIRROR HOLDER FOR 0.5" ELLIPTICAL OPTICS			
APPROVAL	HDE	FEB./19th/24	MATERIAL	WEIGHT	SCALE	REV
FOR INFORMATION ONLY NOT FOR MANUFACTURING PURPOSES			N/A	0.011 Kg	2:1	A