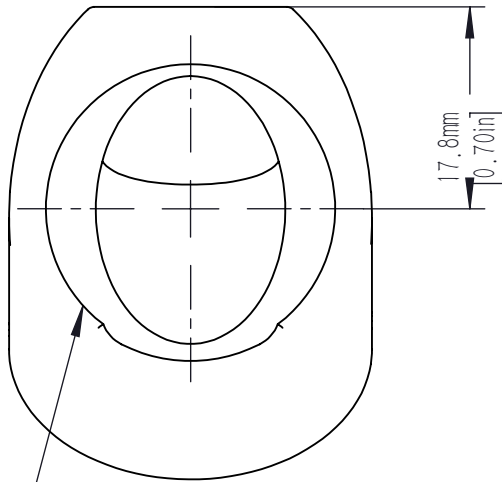
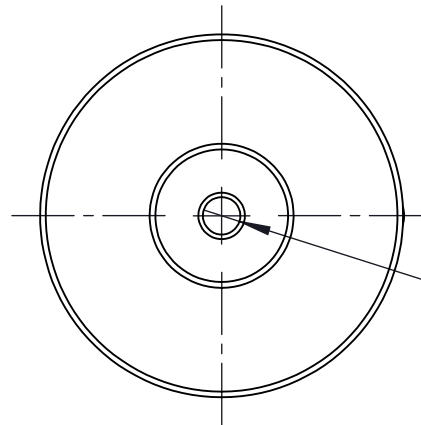


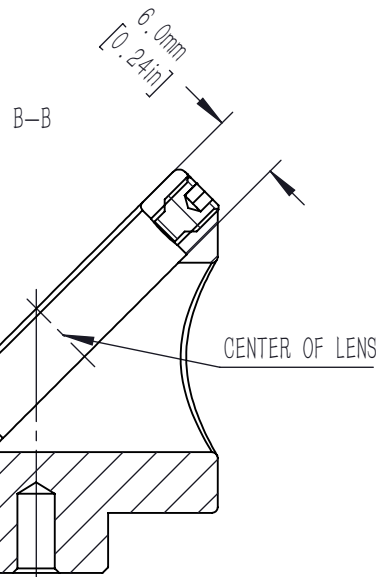
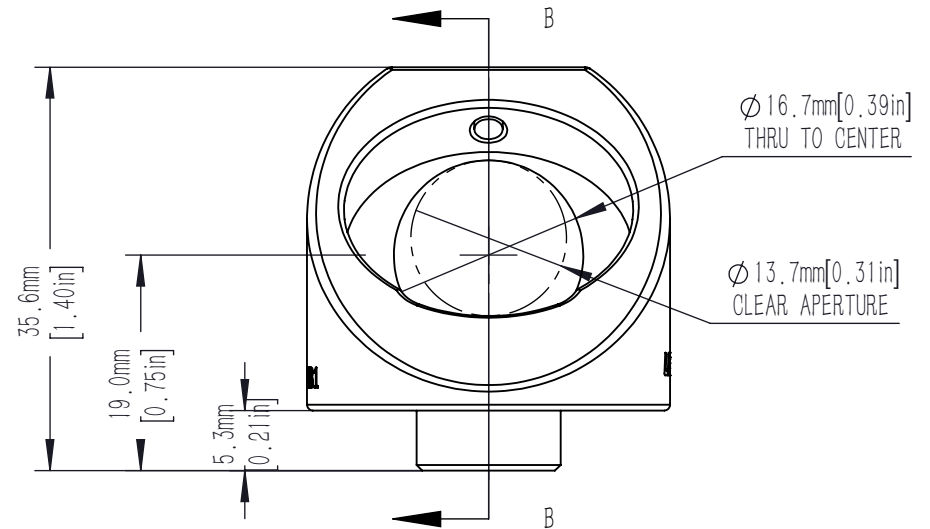
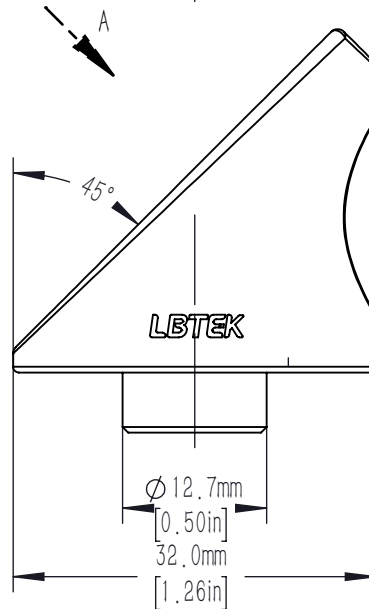
VIEW A-A
ROTATED 45°



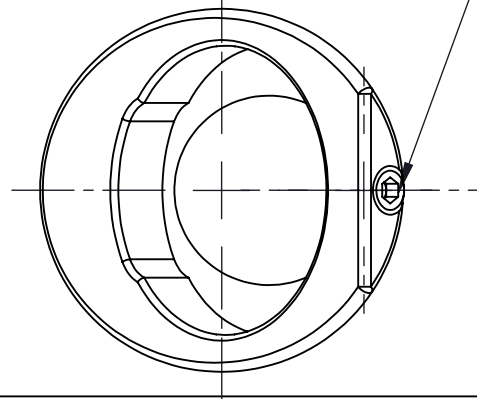
ACCEPTS $\phi 25.4\text{mm}$ [$\phi 1.00\text{in}$] OPTICS
MINIMUM THICKNESS 3mm [0.12in]
 6mm [0.24in] DEEP



M4x0.7 MOUNTING HOLE
6.0mm [0.24in] DEEP



M4 NYLON TIPPED
LOCKING SET SCREW 2.0mm HEX



DRAWING PROJECTION			LBTEK			
	NAME	DATE				
DRAWN	ZHE	MAY. /25th/20	45° MIRROR HOLDER			
APPROVAL	YCH	MAY. /25th/20	MATERIAL	WEIGHT	SCALE	REV
FOR INFORMATION ONLY NOT FOR MANUFACTURING PURPOSES			N/A	30 g	3:2	B