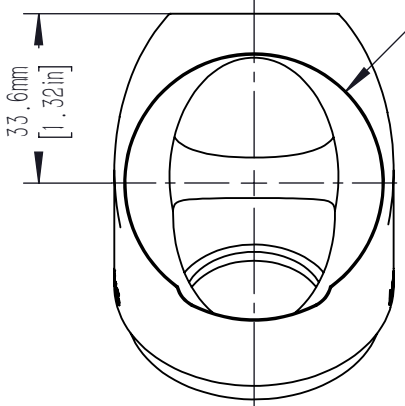


Ø 28.0mm [1.10in]  
CLEAR APERTURE

VIEW A  
45.00°

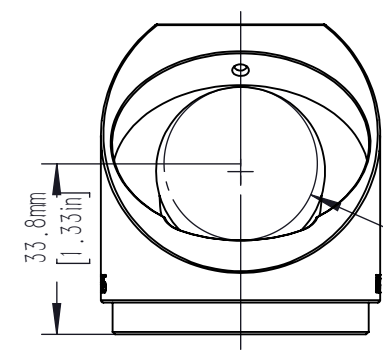


33.6mm  
[1.32in]

ACCEPTS Ø 50.8mm [Ø 2.00in] OPTICS  
MINIMUM THICKNESS 5.7mm [0.22in]  
9.2mm [0.36in] DEEP



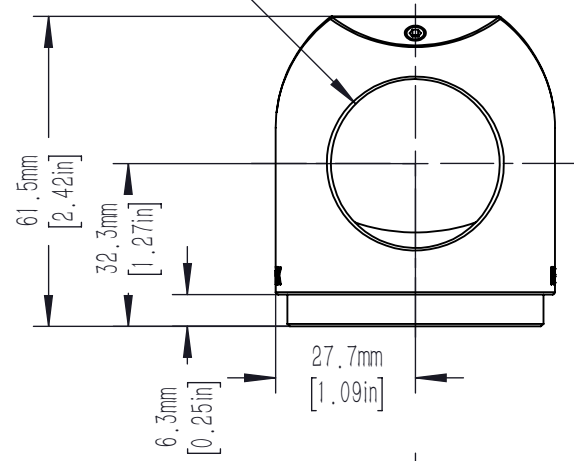
VIEW G



33.8mm  
[1.33in]

Ø 30.4mm [1.20in]  
CLEAR APERTURE

Ø 33.5mm [1.32in]  
THRU TO CENTER

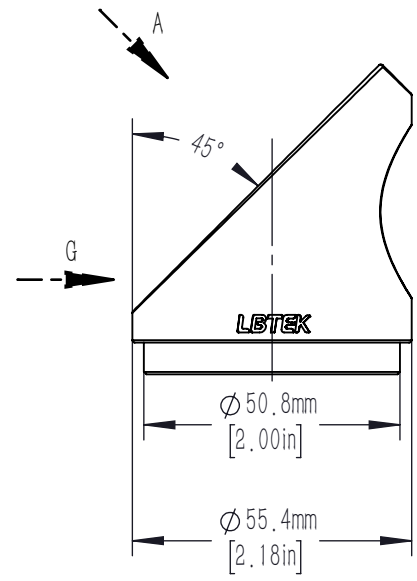


61.5mm  
[2.42in]

32.3mm  
[1.27in]

6.5mm  
[0.25in]

27.7mm  
[1.09in]

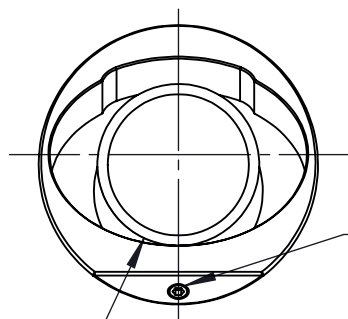


45°

LBTEK

Ø 50.8mm  
[2.00in]

Ø 55.4mm  
[2.18in]



M4 NYLON TIPPED  
LOCKING SET SCREW 2mm [5/64in] HEX

Ø 32.1mm [1.26in]  
MOUNTING BORE FOR USE WITH PR-1A

DRAWING PROJECTION			<b>LBTEK</b>			
	NAME	DATE				
DRAWN	ZHE	MAY./27th/20	45° MIRROR HOLDER			
APPROVAL	YCH	MAY./27th/20	MATERIAL	WEIGHT	SCALE	REV
FOR INFORMATION ONLY NOT FOR MANUFACTURING PURPOSES			N/A	114 g	1:1.5	B