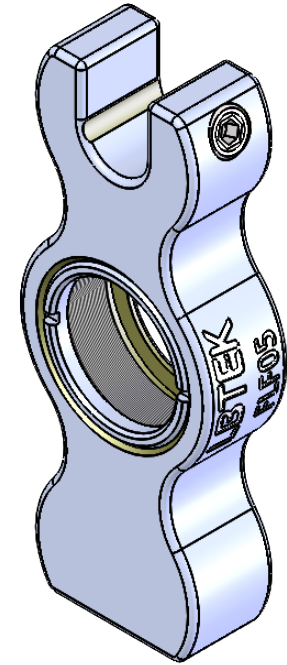
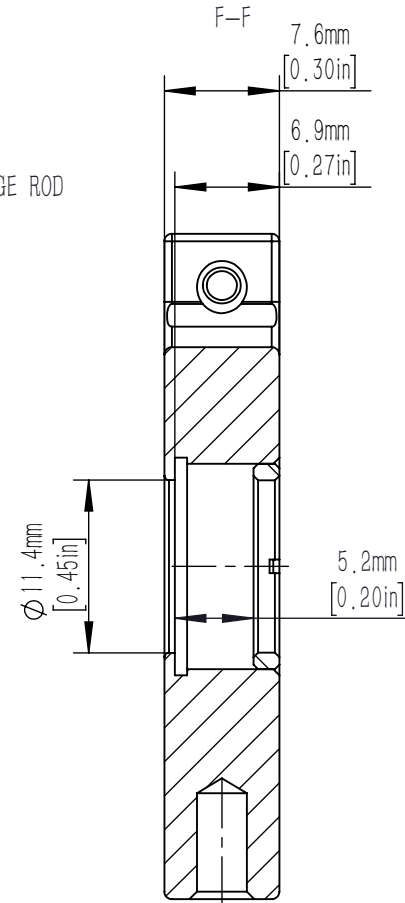
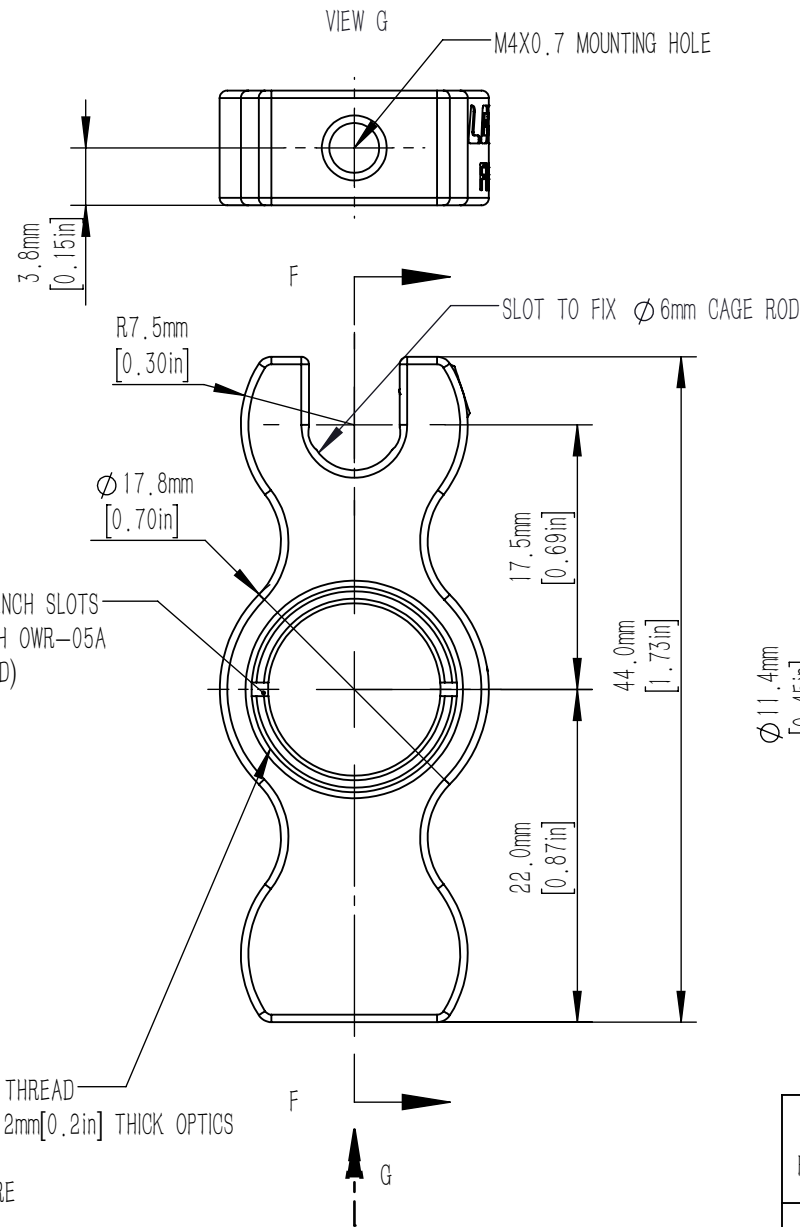


M3 SET SCREW
TO LOCK ϕ 6mm CAGE ROD
2.0mm HEX



SM05 (ϕ 0.535in-40) SERIES INTERNAL THREAD
ACCEPTS ϕ 12.7mm [0.5in] MAXIMUM 5.2mm [0.2in] THICK OPTICS
1 SM05R RETAINING RING INCLUDED
 ϕ 11.4mm [ϕ 0.45in] CLEAR APERTURE

DRAWING PROJECTION			LBTEK			
	NAME	DATE				
DRAWN	CZH	AUG./15th/23	LENS MOUNT FOR ϕ 12.7 mm OPTICS			
APPROVAL	ZXU	AUG./15th/23	MATERIAL	WEIGHT	SCALE	REV
FOR INFORMATION ONLY NOT FOR MANUFACTURING PURPOSES			ALUMINIUM	8.5 g	2:1	C