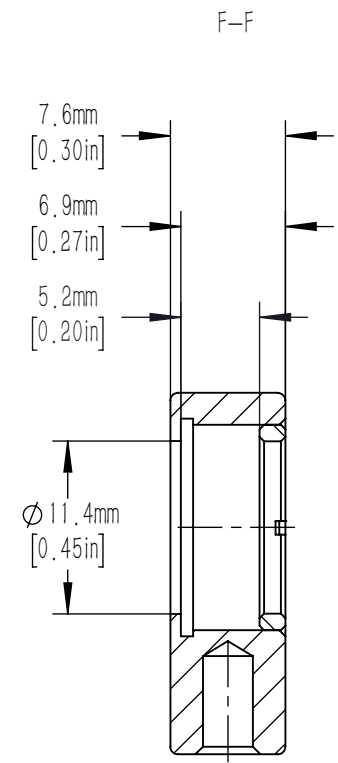


SPANNER WRENCH SLOTS
FOR USE WITH OWR-05A
(NOT INCLUDED)

SM05($\varnothing 0.535\text{in}-40$) SERIES INTERNAL THREAD
ACCEPTS $\varnothing 12.7\text{mm}$ [0.5in] MAXIMUM 5.2mm[0.2in] THICK OPTICS
1 SM05R RETAINING RING INCLUDED
 $\varnothing 11.4\text{mm}$ [$\varnothing 0.45\text{in}$] CLEAR APERTURE



DRAWING PROJECTION			LBTEK			
	NAME	DATE				
DRAWN	YCH	JUL./25th/19	LENS MOUNT FOR $\varnothing 12.7$ mm OPTICS WITH INTERNAL SM05 THREAD			
APPROVAL	JCAO	JUL./25th/19	MATERIAL	WEIGHT	SCALE	REV
FOR INFORMATION ONLY NOT FOR MANUFACTURING PURPOSES			N/A	0.01 Kg	2:1	B