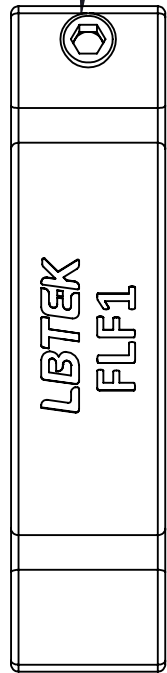
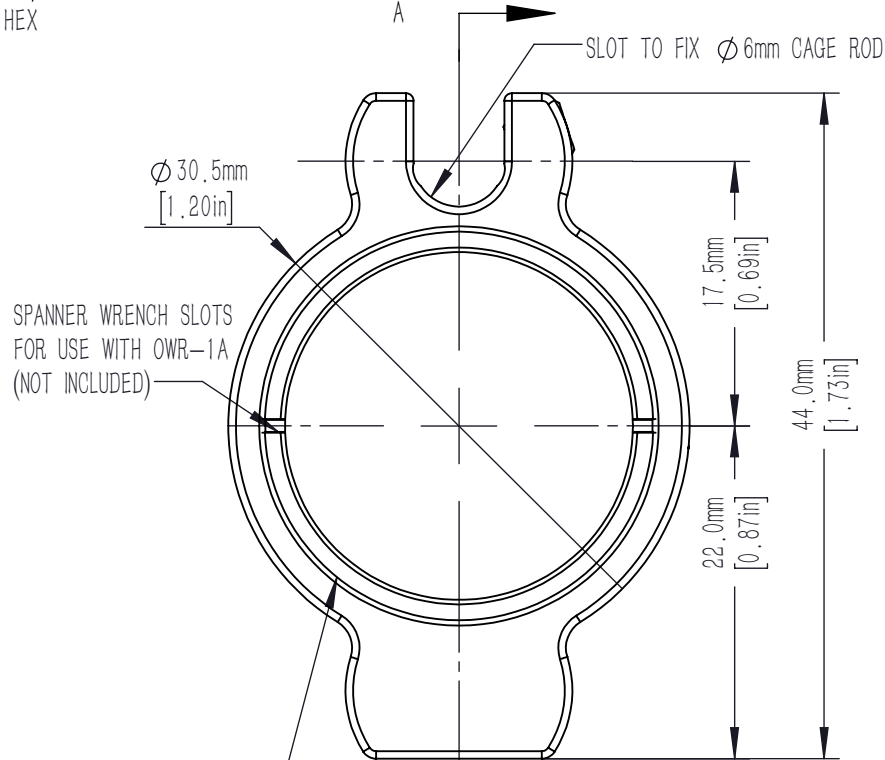
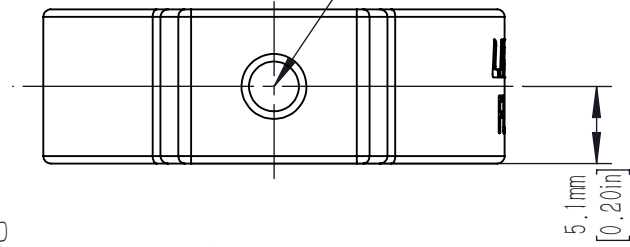


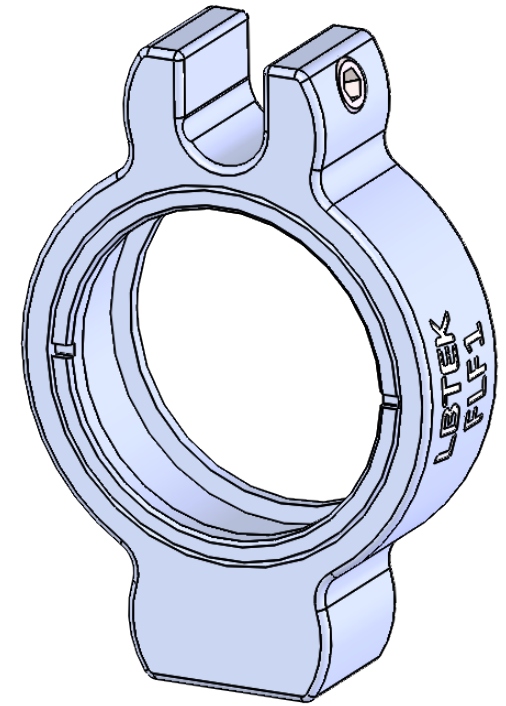
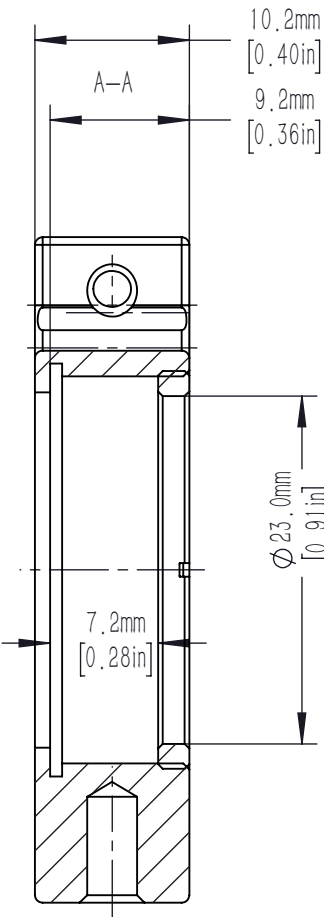
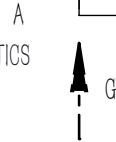
M3 SET SCREW
TO LOCK ϕ 6mm CAGE ROD
2.0mm HEX



VIEW G
M4 \times 0.7 TAPPED HOLE
5.5mm DEEP



SM1 (ϕ 1.035in-40) SERIES INTERNAL THREAD
ACCEPTS ϕ 25.4mm [1.00in] MAXIMUM 7.2mm [0.28in] THICK OPTICS
1 SM1R RETAINING RING INCLUDED
 ϕ 23.00mm [ϕ 0.91in] CLEAR APERTURE



DRAWING PROJECTION			LBTEK			
	NAME	DATE	FLF1			
DRAWN	CZH	SEPT./7th/23	LENS MOUNT FOR ϕ 25.4 mm OPTICS			
APPROVAL	ZXU	SEPT./7th/23	MATERIAL	WEIGHT	SCALE	REV
FOR INFORMATION ONLY NOT FOR MANUFACTURING PURPOSES			ALUMINIUM	0.011 Kg	2:1	C