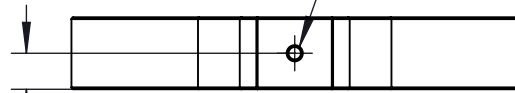


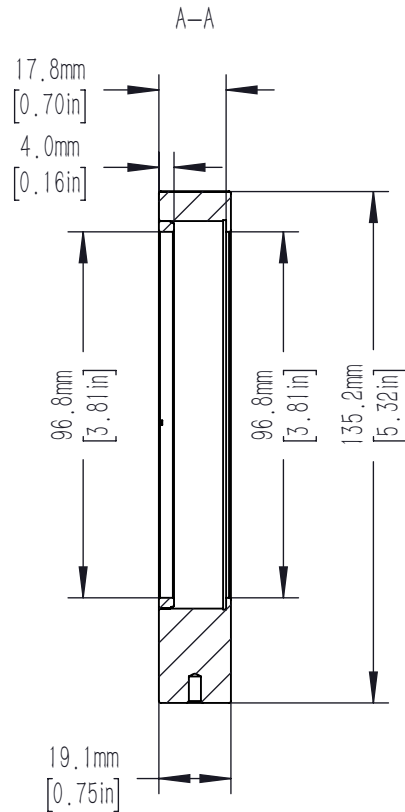
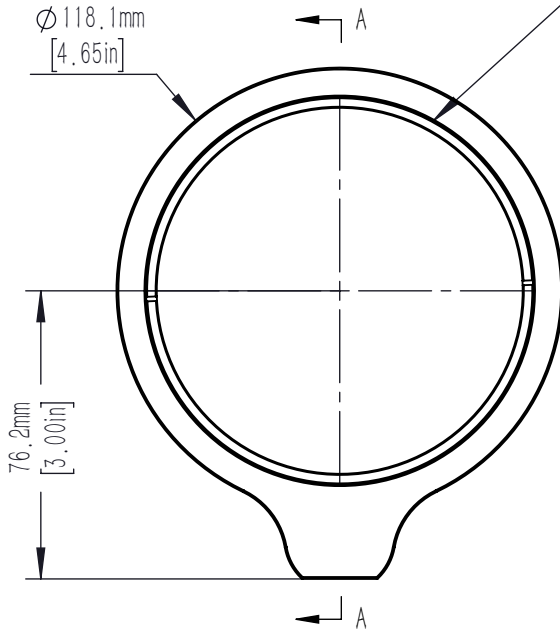
M4 THREADED MOUNTING HOLE
6.4mm [0.25in] DEEP



9.5mm
[0.38in]

SM4 SERIES INTERNAL THREAD
17.8mm [0.70in] DEEP
SM3R RETAINING RING INCLUDED
3.2mm [0.13in] THICK
Ø96.8mm [Ø3.81in] CLEAR APRETURE

Ø118.1mm
[4.65in]



DRAWING PROJECTION			LBTEK			
NAME	DATE	FLF4A				
DRAWN	GWE	AUG./14th/25	Ø4.00in OPTIC HOLDER			
APPROVAL	YLI	AUG./14th/25	MATERIAL	WEIGHT	SCALE	REV
FOR INFORMATION ONLY NOT FOR MANUFACTURING PURPOSES			N/A	0.179 Kg	1:2	A