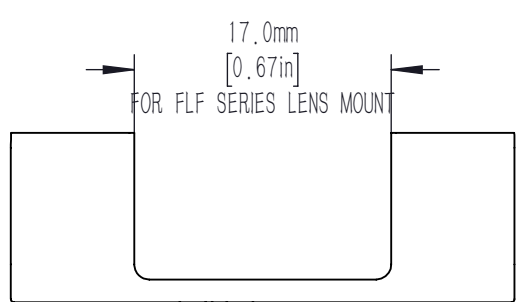


TWO CONTACTING LINES FOR QUICKLY RELEASING



$\phi 1.0\text{mm}$  THRU [0.04in]  
 3mm [0.12in] ~ 17mm [0.67in]  
 8 ENGRAVED RINGS  
 EVERY 2mm  
 FOR BEAM ALIGNMENT

FOR USE WITH SM1 SERIES LENS TUBE OR  
 FLF SERIES LENS MOUNT

DRAWING PROJECTION			<b>LBTEK</b>			
	NAME	DATE				
DRAWN	ZHE	SEP./17th/19	LENS MOUNT ALIGNMENT PLATES			
APPROVAL	ERIC	SEP./17th/19	MATERIAL	WEIGHT	SCALE	REV
FOR INFORMATION ONLY NOT FOR MANUFACTURING PURPOSES			N/A	0.004 Kg	2:1	B