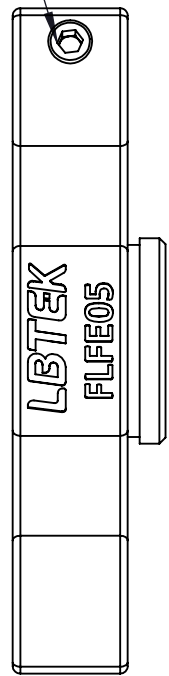
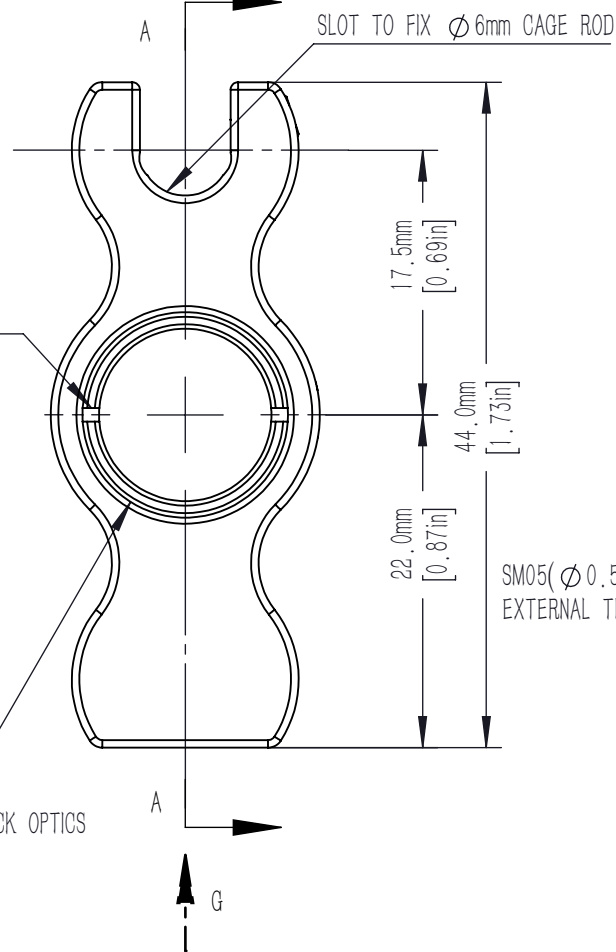
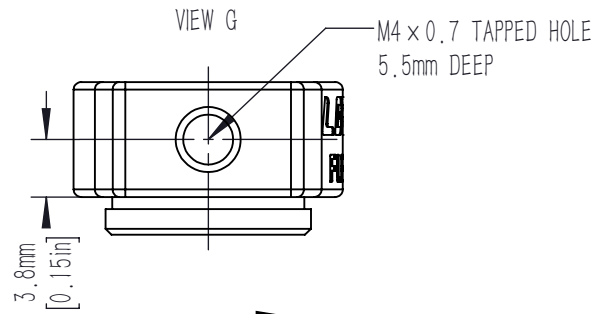


M3 SET SCREW
TO LOCK ϕ 6mm CAGE ROD
2.0mm HEX

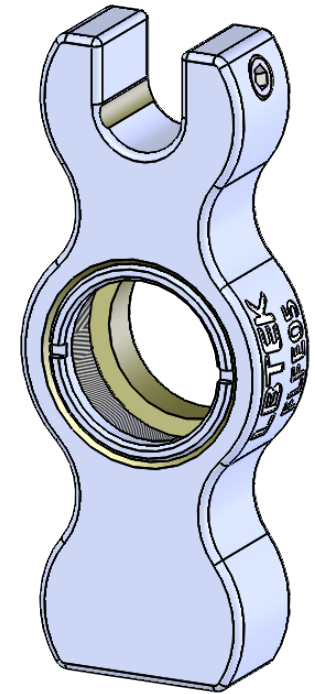
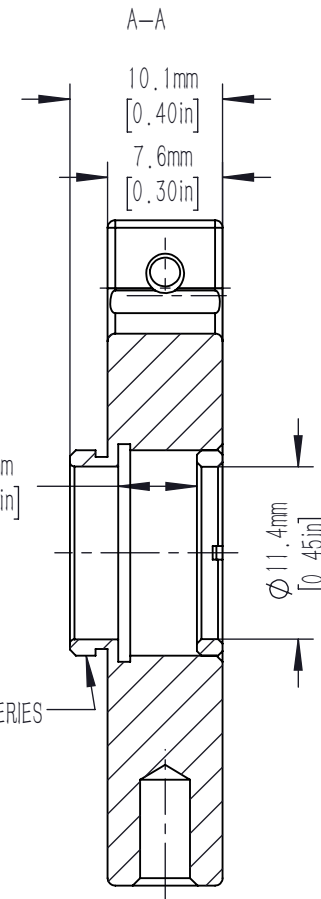


SPANNER WRENCH SLOTS
FOR USE WITH OWR-05A
(NOT INCLUDED)

SM1 (ϕ 0.535in-40) SERIES INTERNAL THREAD
ACCEPTS ϕ 12.7mm [0.5in] MAXIMUM 5.2mm [0.2in] THICK OPTICS
1 SM05R RETAINING RING INCLUDED
 ϕ 11.4mm [ϕ 0.45in] CLEAR APERTURE



SM05 (ϕ 0.535-40) SERIES
EXTERNAL THREAD



DRAWING PROJECTION				LBTEK					
NAME		DATE						FLFE05	
DRAWN		CZH		AUG./15th/23		ϕ 12.7 LENS MOUNT WITH EXTERNAL SM05 THREAD			
APPROVAL		ZXU		AUG./15th/23		MATERIAL	WEIGHT	SCALE	REV
FOR INFORMATION ONLY NOT FOR MANUFACTURING PURPOSES						ALUMINIUM	0.009 Kg	2:1	C