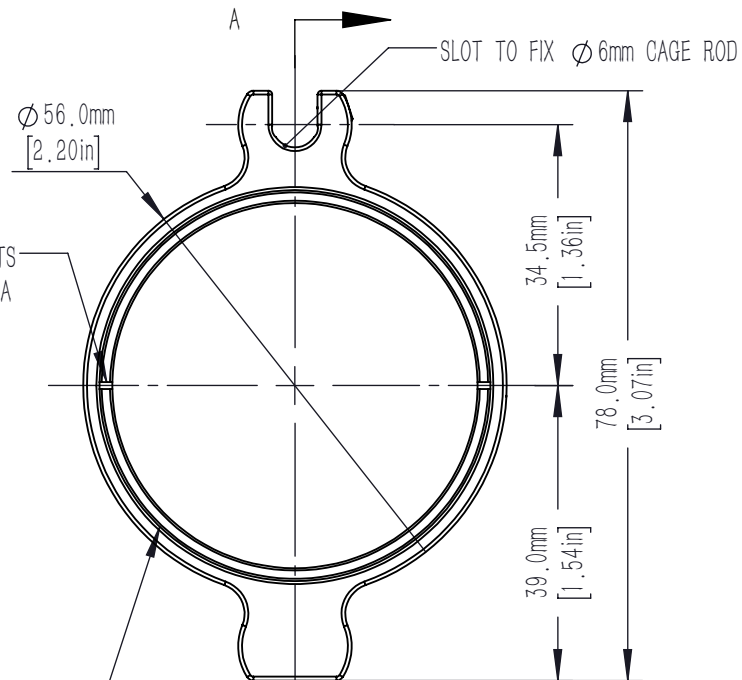


M3 SET SCREW  
TO LOCK  $\varnothing 6\text{mm}$  CAGE ROD  
2.0mm HEX



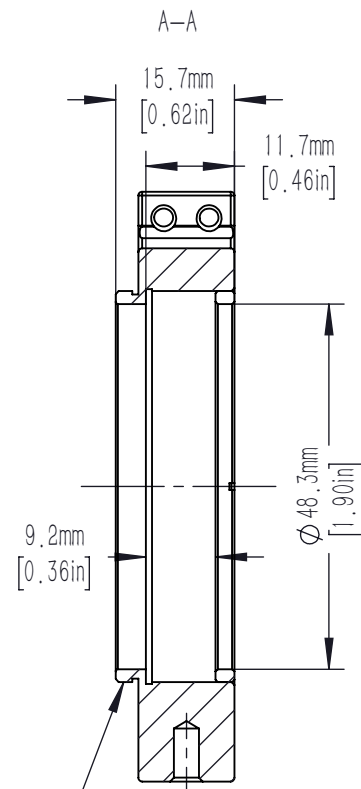
SPANNER WRENCH SLOTS  
FOR USE WITH OWR-2A  
(NOT INCLUDED)



SM1 ( $\varnothing 2.035\text{in}-40$ ) SERIES INTERNAL THREAD  
ACCEPTS  $\varnothing 50.8\text{mm}$  [2.00in] MAXIMUM 9.2mm [0.36in] THICK OPTICS  
1 SM2R RETAINING RING INCLUDED  
 $\varnothing 48.3\text{mm}$  [ $\varnothing 1.90\text{in}$ ] CLEAR APERTURE



SM1 ( $\varnothing 2.035\text{in}-40$ ) SERIES  
EXTERNAL THREAD



DRAWING PROJECTION			<b>LBTEK</b>			
	NAME	DATE	FLFE2			
DRAWN	CZH	SEPT./7th/23	$\varnothing 50.8\text{mm}$ LENS MOUNT WITH EXTERNAL SM2 THREAD			
APPROVAL	ZXU	SEPT./7th/23	MATERIAL	WEIGHT	SCALE	REV
FOR INFORMATION ONLY NOT FOR MANUFACTURING PURPOSES			ALUMINIUM	0.027 Kg	1:1	C