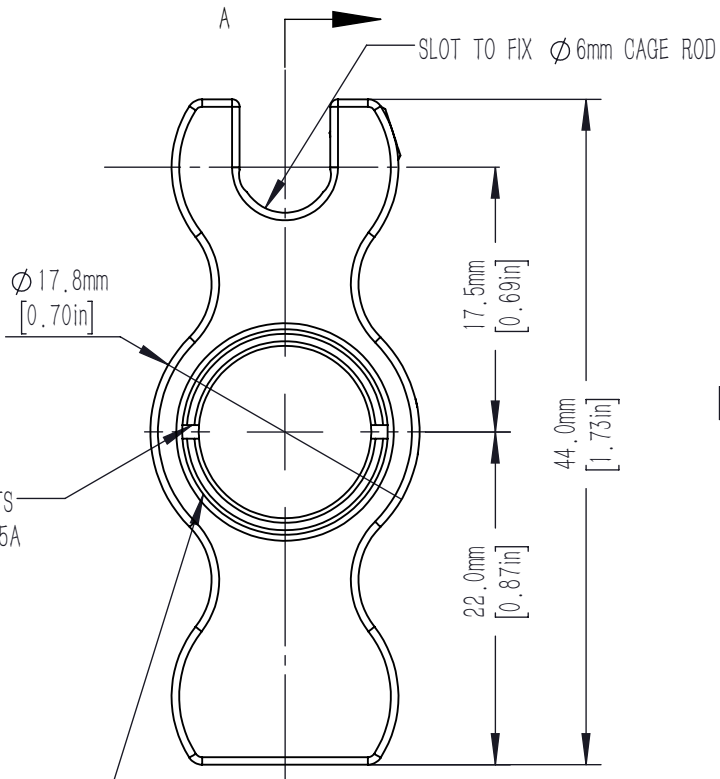
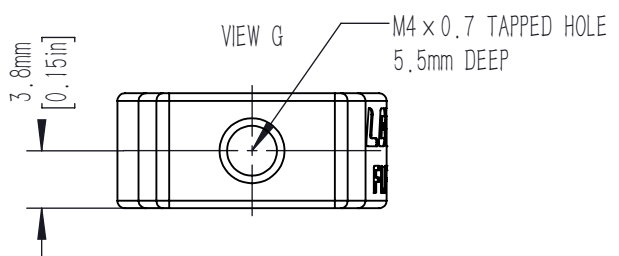
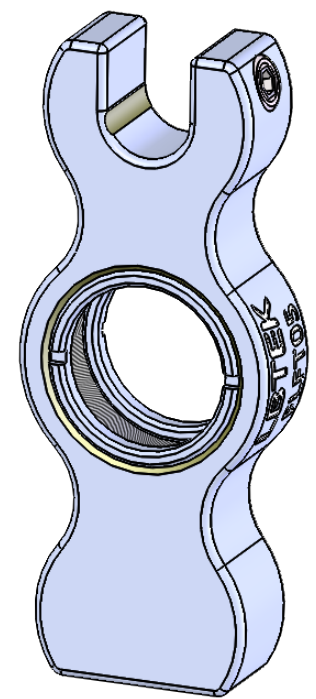
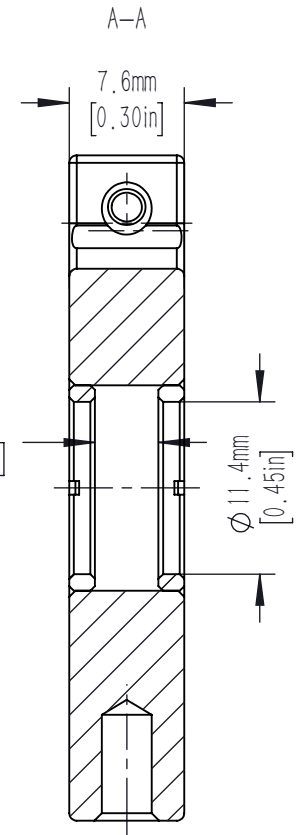


M3 SET SCREW
TO LOCK \varnothing 6mm CAGE ROD
2.0mm HEX



SPANNER WRENCH SLOTS
FOR USE WITH OWR-05A
(NOT INCLUDED)



SM05 (\varnothing 0.535in-40) SERIES INTERNAL THREAD
ACCEPTS \varnothing 12.7mm [0.5in] MAXIMUM 4.2mm [0.17in] THICK OPTICS
1 SM05R RETAINING RING INCLUDED
 \varnothing 11.4mm [\varnothing 0.45in] CLEAR APERTURE

DRAWING PROJECTION				<h1 style="color: red; margin: 0;">LBTEK</h1>			
	NAME	DATE					
DRAWN	CZH	AUG./15th/23		LENS MOUNT FOR \varnothing 12.7 mm OPTICS WITH SM05 THRU INTERNAL THREAD			
APPROVAL	ZXU	AUG./15th/23		MATERIAL	WEIGHT	SCALE	REV
FOR INFORMATION ONLY NOT FOR MANUFACTURING PURPOSES				ALUMINIUM	0.009 Kg	2:1	C