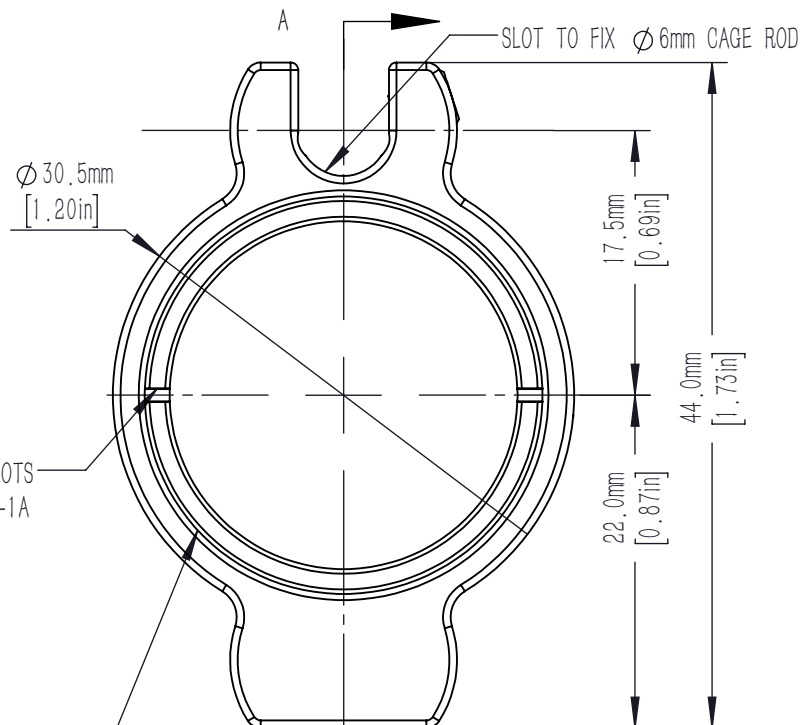
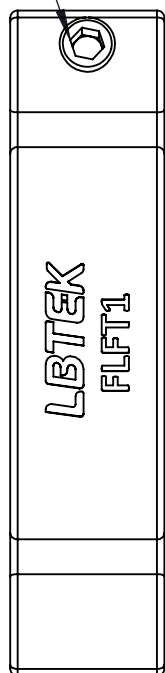
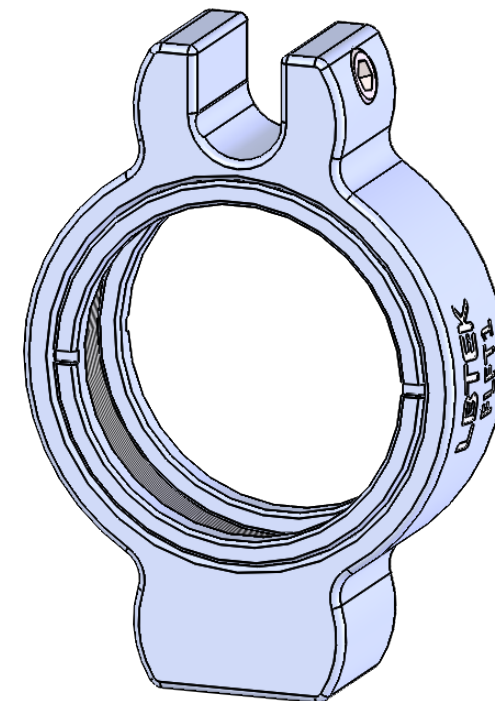
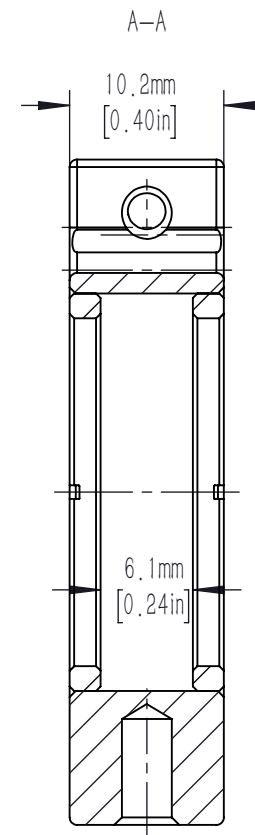


M3 SET SCREW
TO LOCK ϕ 6mm CAGE ROD
2.0mm HEX



SM1 (ϕ 1.035in-40) SERIES INTERNAL THREAD
ACCEPTS ϕ 25.4mm [1.00in] MAXIMUM 6.1mm [0.24in] THICK OPTICS
2 SM1R RETAINING RING INCLUDED
 ϕ 23.00mm [ϕ 0.91in] CLEAR APERTURE



DRAWING PROJECTION			LBTEK			
	NAME	DATE				
DRAWN	CZH	SEPT./7th/23	LENS MOUNT FOR ϕ 25.4 mm OPTICS WITH SM1 THRU INTERNAL THREAD			
APPROVAL	ZXU	SEPT./7th/23	MATERIAL	WEIGHT	SCALE	REV
FOR INFORMATION ONLY NOT FOR MANUFACTURING PURPOSES			ALUMINIUM	0.011 Kg	2:1	C