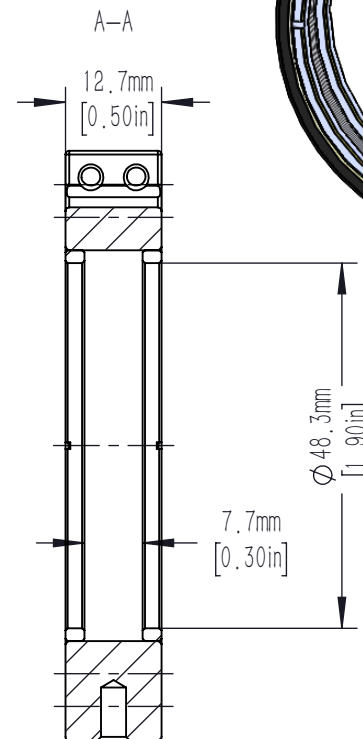
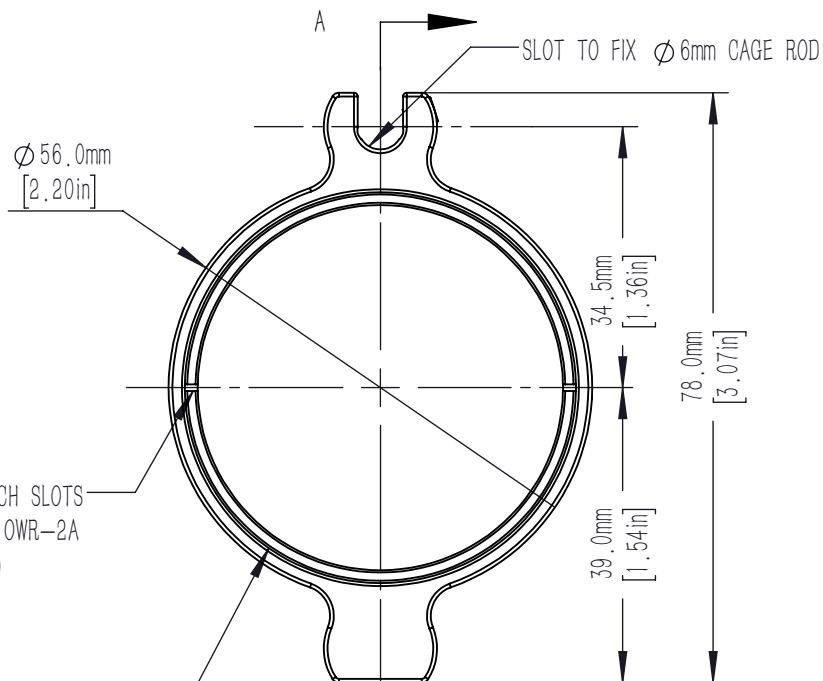


M3 SET SCREW  
TO LOCK  $\varnothing$ 6mm CAGE ROD  
2.0mm HEX



SM2 ( $\varnothing$ 2.035in-40) SERIES INTERNAL THREAD  
ACCEPTS  $\varnothing$ 50.8mm [2.00in] MAXIMUM 7.7mm [0.30in] THICK OPTICS  
2 SM2R RETAINING RING INCLUDED  
 $\varnothing$ 48.3mm [ $\varnothing$ 1.90in] CLEAR APERTURE

DRAWING PROJECTION			<b>LBTEK</b>			
NAME	DATE					
			FLFT2			
DRAWN	CZH	SEPT./7th/23	LENS MOUNT FOR $\varnothing$ 50.8 mm OPTICS WITH SM2 THRU INTERNAL THREAD			
APPROVAL	ZXU	SEPT./7th/23	MATERIAL	WEIGHT	SCALE	REV
FOR INFORMATION ONLY NOT FOR MANUFACTURING PURPOSES			ALUMINIUM	0.026 Kg	1:1	C