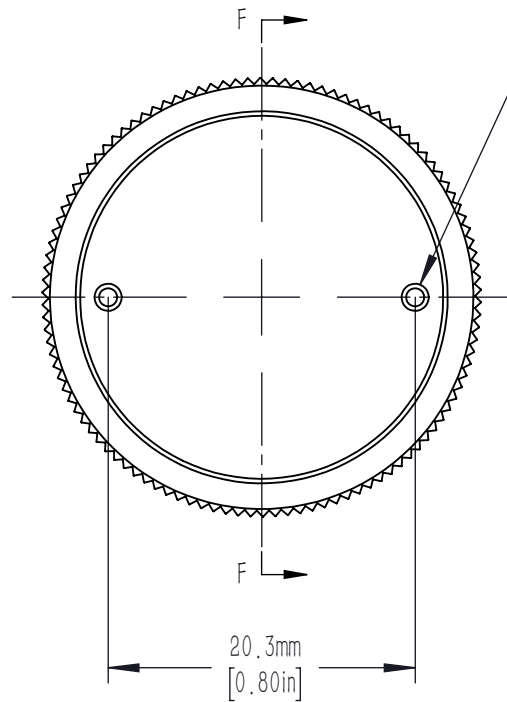


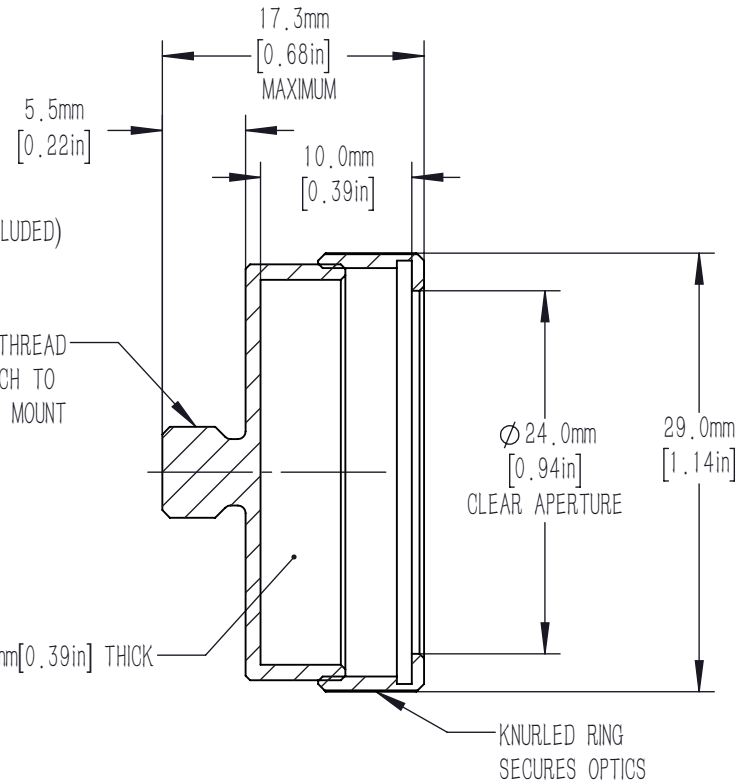
F-F



SPANNER WRENCH HOLES  
FOR USE WITH OWR-1B (NOT INCLUDED)  
2 PLACES

M6X1.0 EXTERNAL THREAD  
USED TO ATTACH TO  
AMMS-A6 MIRROR MOUNT

ACCEPTS  $\phi$  25.4mm [1in] OPTICS  
FORM 6.0mm [0.24in] UP TO 10.0mm [0.39in] THICK



$\phi$  24.0mm  
[0.94in]  
CLEAR APERTURE

KNURLED RING  
SECURES OPTICS

DRAWING PROJECTION			<b>LBTEK</b>			
	NAME	DATE				
DRAWN	YCH	JUL./10th/20	$\phi$ 25.4mm OPTIC HOLDER FOR AMMS-A6			
APPROVAL	ZHE	JUL./10th/20	MATERIAL	WEIGHT	SCALE	REV
FOR INFORMATION ONLY NOT FOR MANUFACTURING PURPOSES			ALUMINIUM	0.01 Kg	2:1	B