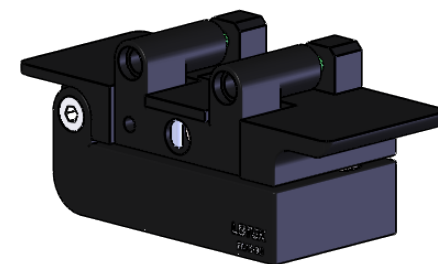
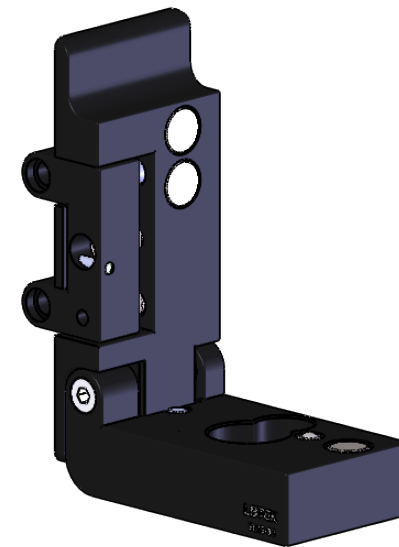


M4 COUNTERSUNK HEAD MOUNTING HOLE

M6 COUNTERSUNK HEAD MOUNTING HOLE

M4 HEXAGON SET CLAMPING SCREWS WITH CYLINDRICAL END



DRAWING PROJECTION			LBTEK			
NAME	DATE	FMS-90				
DRAWN	SSO	AUG./5th/22	90° FLIP MOUNTING BASE			
APPROVAL	ZXU	AUG./5th/22	MATERIAL	WEIGHT	SCALE	REV
FOR INFORMATION ONLY NOT FOR MANUFACTURING PURPOSES			N/A	0.050 Kg	1:1	B