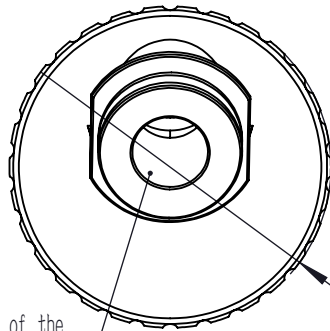
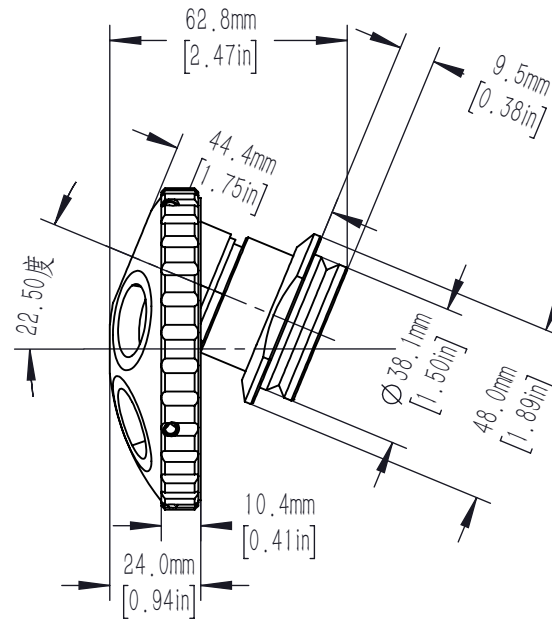


D1T MALE DOVETAIL

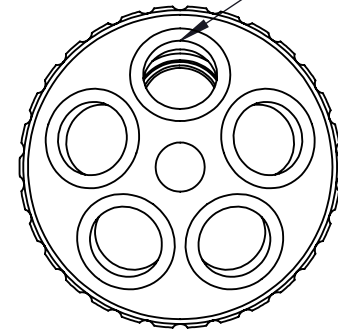


The diameter of the through-hole is 20mm

Ø 85.0mm
[3.35in]



RMS SERIES
INTERNAL THREADS
5 PLACES



FOR INFORMATION ONLY
NOT FOR MANUFACTURING PURPOSES

DRAWING PROJECTION			LBTEK			
	NAME	DATE				
DRAWN	PCH	Nov./17th/25	QUINTUPLE OBJECTIVE NOSEPIECE, RMS THREADS			
APPROVAL	YHLI	Nov./17th/25	MATERIAL	WEIGHT	SCALE	REV
FOR INFORMATION ONLY NOT FOR MANUFACTURING PURPOSES			N/A	0.48 Kg	1:2	A