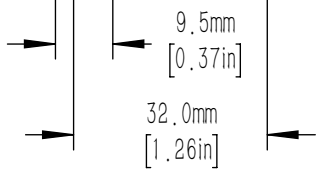
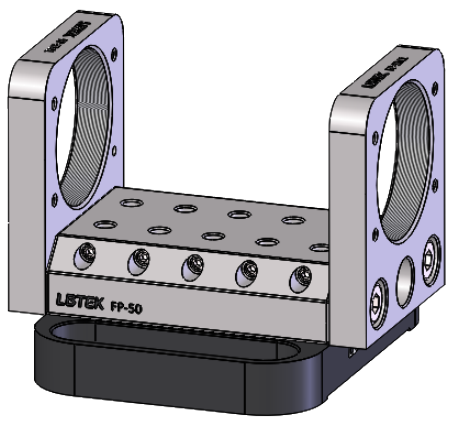
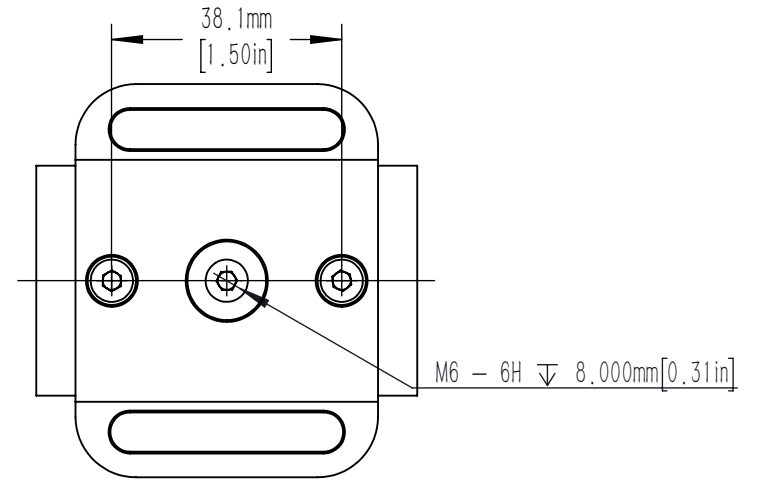
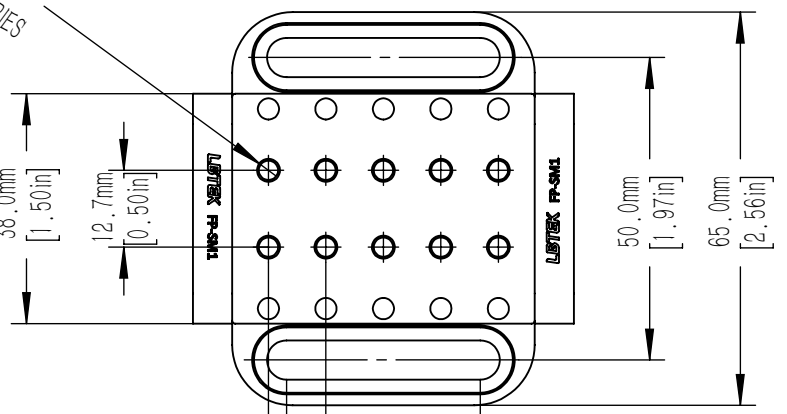


Ø 3.2mm [0.13in]
 SLIP FIT HOLES FOR FIBERBENCH ACCESSORIES 10 PLACES



DRAWING PROJECTION				LBTek			
	NAME	DATE	FP-50				
DRAWN	SSO	JU./22nd/23	OPTICAL FIBER COUPLER MOUNTING BASE				
APPROVAL	ZXU	JU./22nd/23	MATERIAL	WEIGHT	SCALE	REV	
FOR INFORMATION ONLY NOT FOR MANUFACTURING PURPOSES			N/A	0.326 Kg	4:5	B	