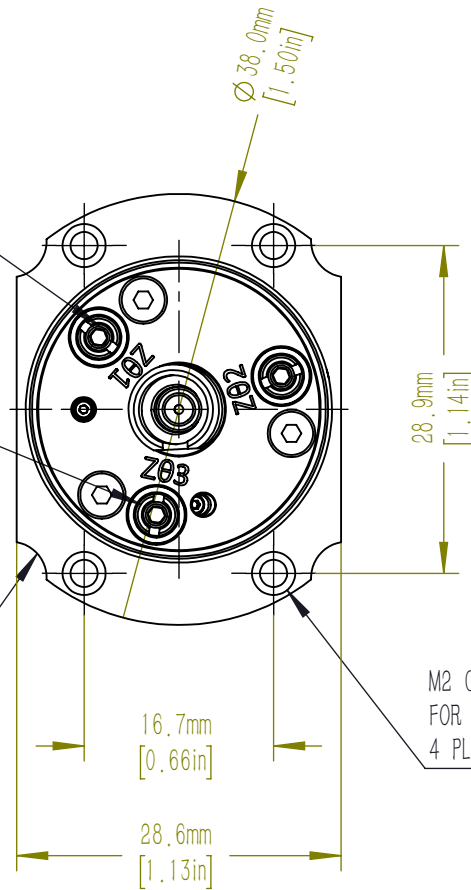


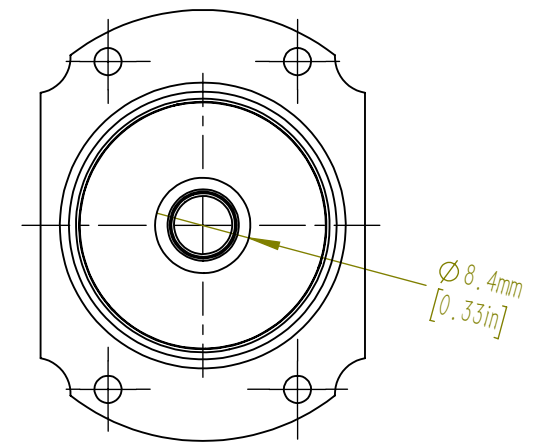
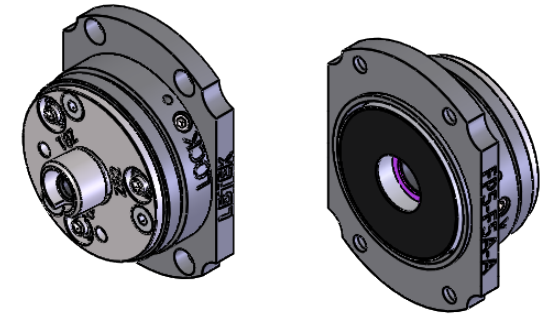
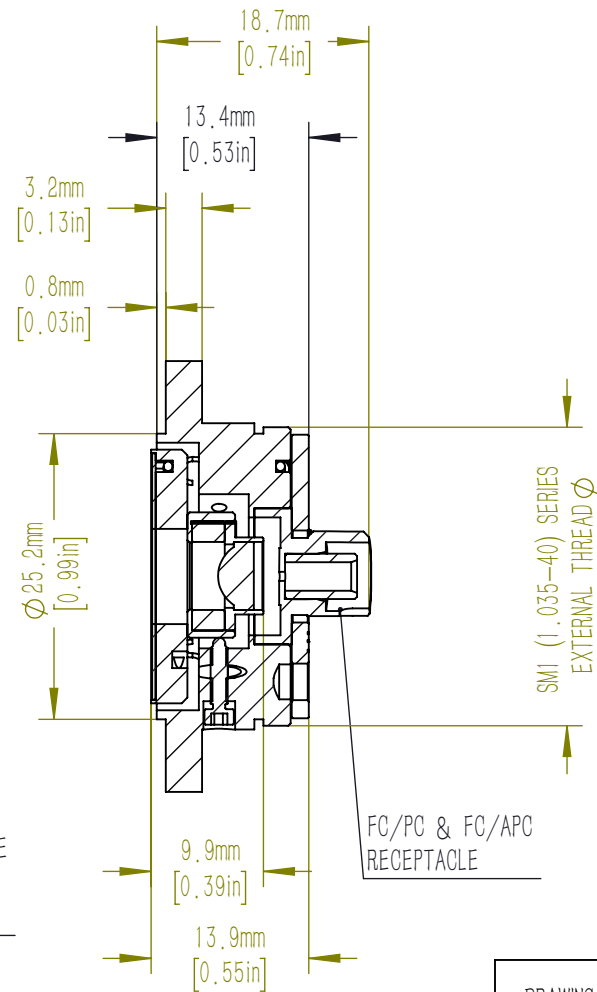
M2X0.25 SCREW
ADJUST TILT PLATE
3 PLACES

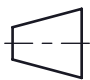

M2X0.25 SCREW
LOCKING COLLAR
3 PLACES

R3.2
CLEARANCE FOR
CAGE RODS
4 PLACES



M2 COUNTERBORE
FOR MOUNTING
4 PLACES



DRAWING PROJECTION		 		LBTEK			
	NAME	DATE	FP5-F5A-A				
DRAWN	YLIU	SEP./22th/25	5-AXIS FIBER COUPLER				
APPROVAL	WCHENG	SEP./22th/25	MATERIAL	WEIGHT	SCALE	REV	
FOR INFORMATION ONLY NOT FOR MANUFACTURING PURPOSES			304 stainless steel	0.052 Kg	3:2	A	