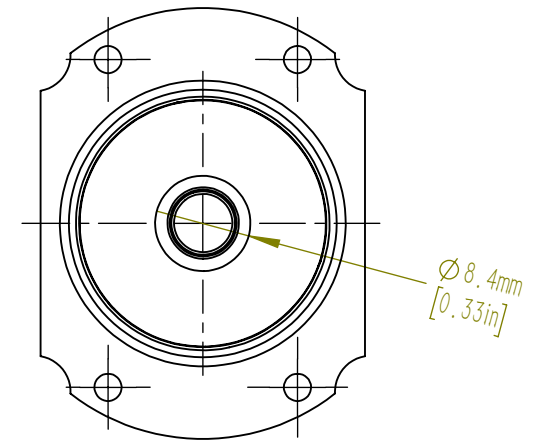
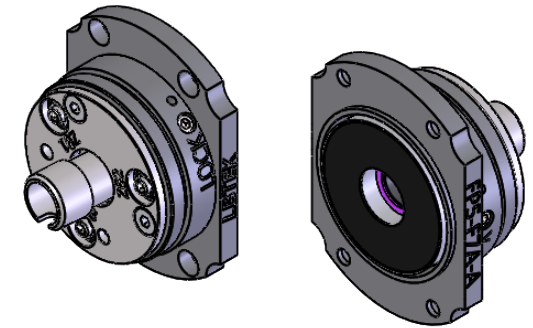
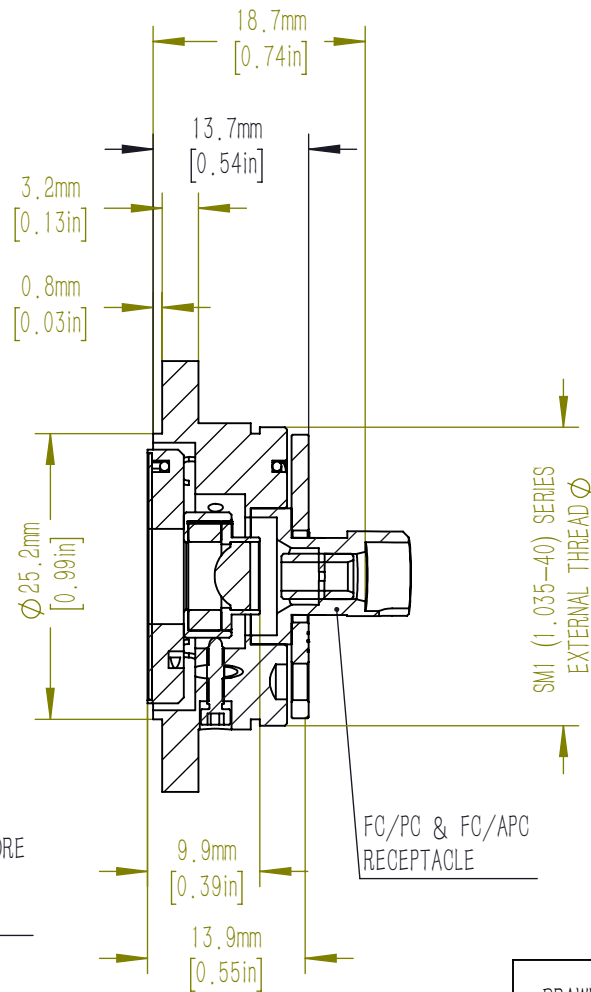
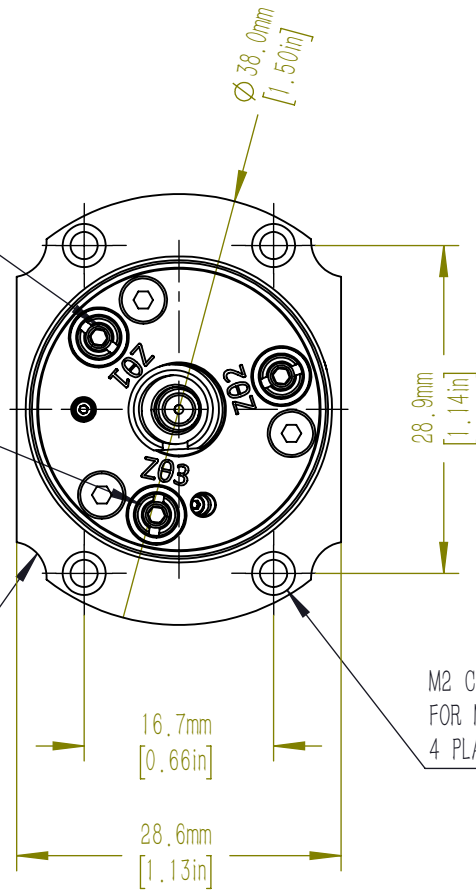




M2X0.25 SCREW  
ADJUST TILT PLATE  
3 PLACES

M2X0.25 SCREW  
LOCKING COLLAR  
3 PLACES

R3.2  
CLEARANCE FOR  
CAGE RODS  
4 PLACES



DRAWING PROJECTION		 		<b>LBTEK</b>			
	NAME	DATE	FP5-F7A-A				
DRAWN	YLIU	SEP./22th/25	5-AXIS FIBER COUPLER				
APPROVAL	WCHENG	SEP./22th/25	MATERIAL	WEIGHT	SCALE	REV	
FOR INFORMATION ONLY NOT FOR MANUFACTURING PURPOSES			304 stainless steel	0.053 Kg	3:2	A	