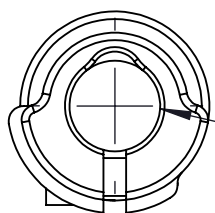
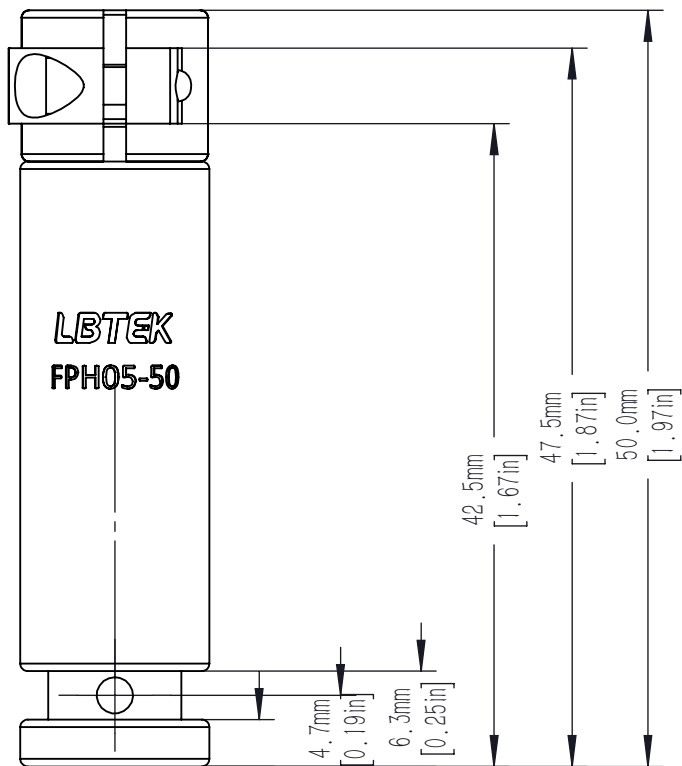
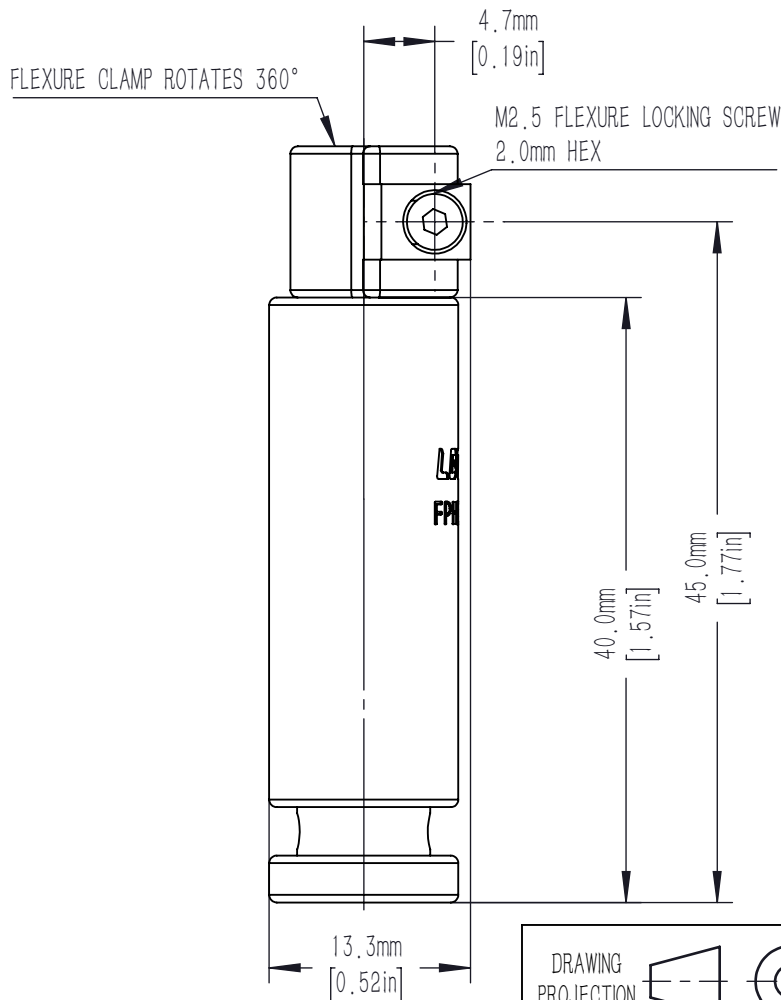


Ø 12.5mm [Ø 0.49in] PEDESTAL BASE
FOR USE WITH PHA-16 SERIES CLAMPING FORK
(NOT INCLUDED)

M8 x 0.5 MOUNTING HOLE
2.8mm [0.11in] DEEP
FOR USE WITH MPRA1 BASE
(NOT INCLUDED)



Ø 6mm [Ø 0.24in] THRU HOLE
for use with Ø 6.0mm MINI SERIES POSTS (NOT INCLUDED)
ALLOWS POST TO BE FLUSH WITH TABLE



DRAWING PROJECTION			LBTEK			
	NAME	DATE	FPH05-50			
DRAWN	ZLI	DEC./14th/23	Ø 6 mm FLEXIBLE POST HOLDER			
APPROVAL	HDE	DEC./14th/23	MATERIAL	WEIGHT	SCALE	REV
FOR INFORMATION ONLY NOT FOR MANUFACTURING PURPOSES			N/A	0.011 Kg	2:1	B