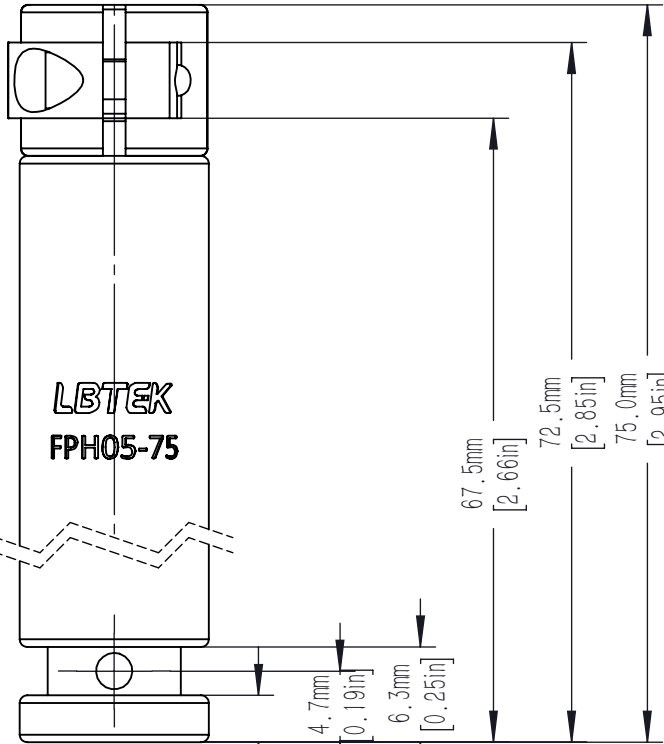
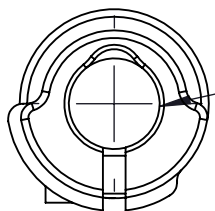
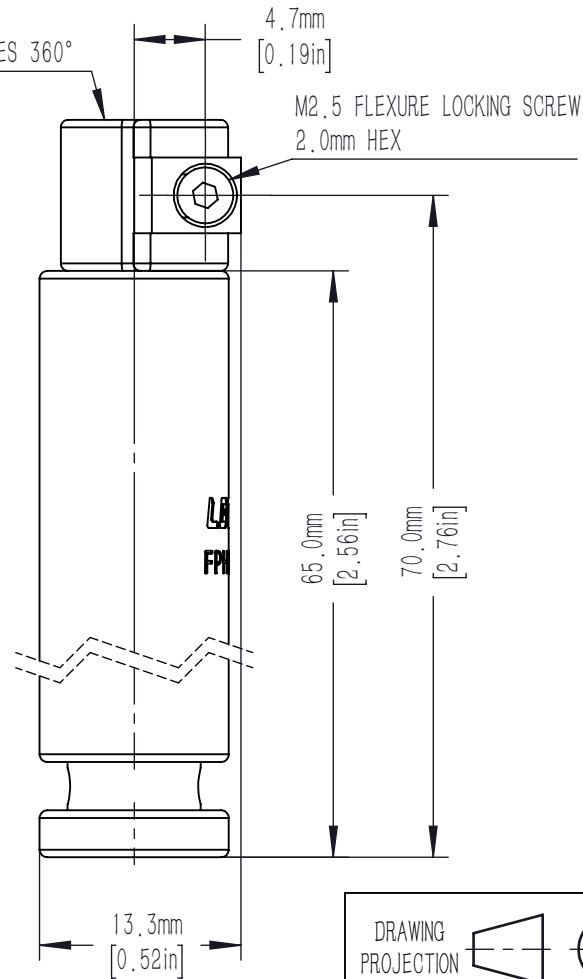


Ø 12.5mm [Ø 0.49in] PEDESTAL BASE  
FOR USE WITH PHA-16 SERIES CLAMPING FORK  
(NOT INCLUDED)

M8 x 0.5 MOUNTING HOLE  
2.8mm [0.11in] DEEP  
FOR USE WITH MPRA1 BASE  
(NOT INCLUDED)



FLEXURE CLAMP ROTATES 360°



Ø 6mm [Ø 0.24in] THRU HOLE  
for use with Ø 6.0mm MINI SERIES POSTS (NOT INCLUDED)  
ALLOWS POST TO BE FLUSH WITH TABLE

DRAWING PROJECTION			<b>LBTEK</b>			
NAME	DATE	FPH05-75				
DRAWN	ZLI	DEC./14th/23	Ø 6 mm FLEXIBLE POST HOLDER			
APPROVAL	HDE	DEC./14th/23	MATERIAL	WEIGHT	SCALE	REV
FOR INFORMATION ONLY NOT FOR MANUFACTURING PURPOSES			N/A	0.018 Kg	2:1	B