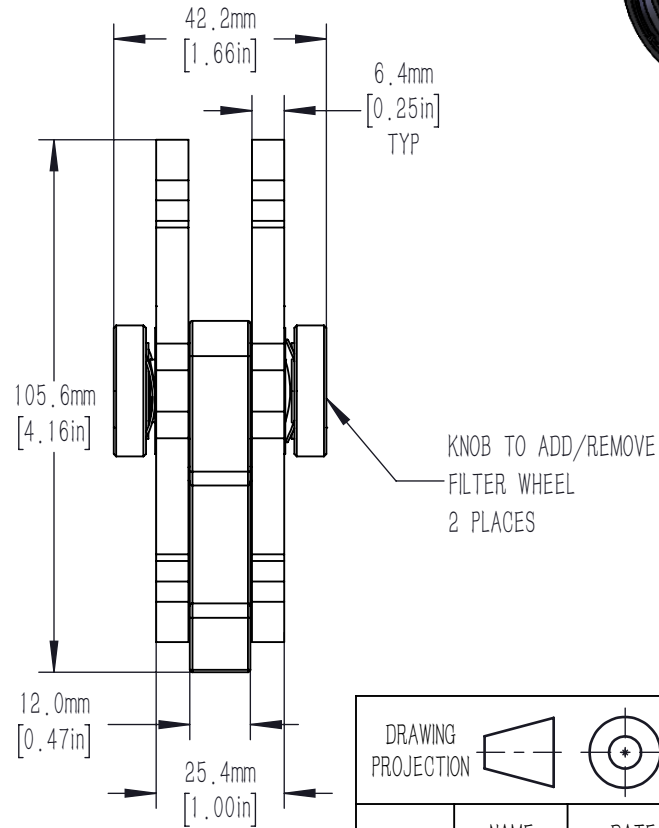


SM1 (Ø 1.035-40) MOUNTING HOLE  
0.22in [5.6mm] DEEP  
(1) SM1R RETAINING RINGS INCLUDED  
24mm (0.94in) CLEAR APERTURE  
12 PLACES



DRAWING PROJECTION			<b>LBTEK</b>			
	NAME	DATE				
DRAWN	ZYANG	JAN./15th/20	FWM12S FILTER WHEEL			
APPROVAL	YCH	JAN./15th/20	MATERIAL	WEIGHT	SCALE	REV
FOR INFORMATION ONLY NOT FOR MANUFACTURING PURPOSES			N/A	0.228 Kg	1:1.5	B