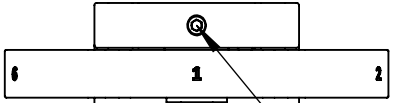
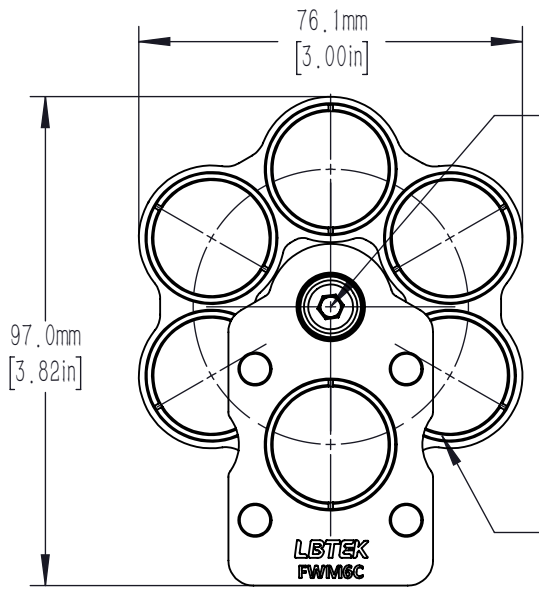
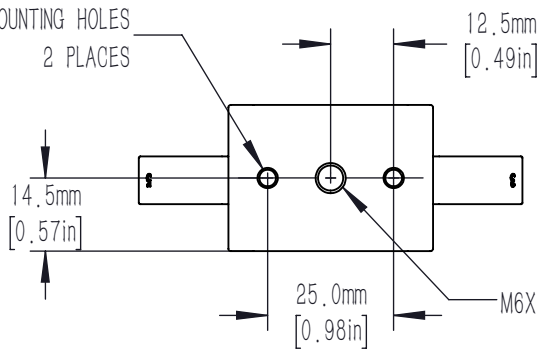
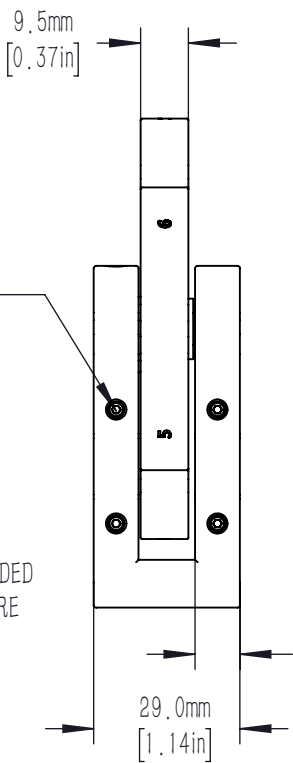


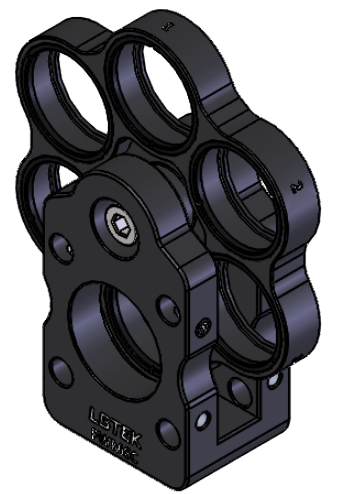
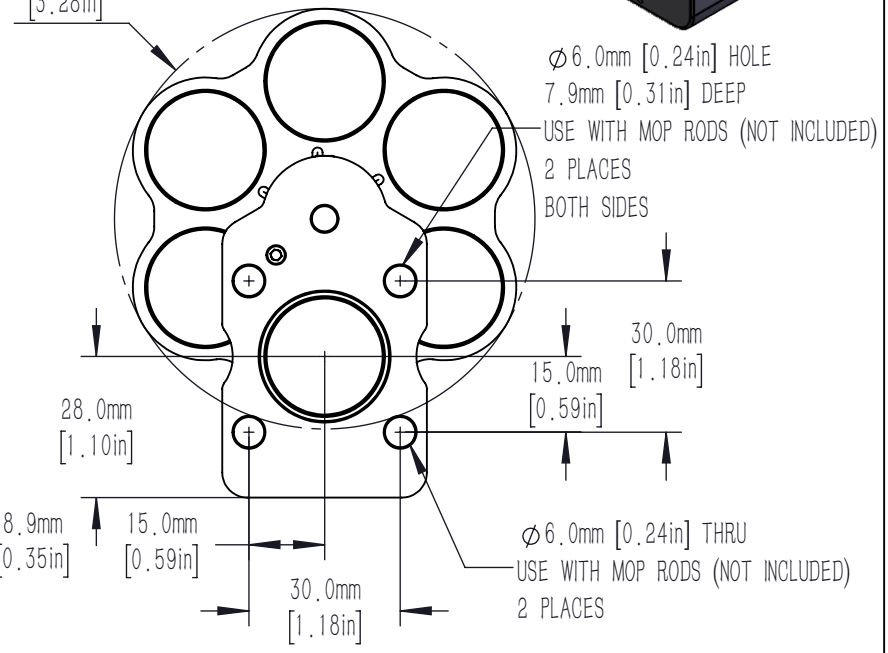
M4X0.7 MOUNTING HOLES  
2 PLACES



M4 NYLON TIP TENSIONING ROTATION SETSCREW  
LOOSEN FOR REMOVAL OF ROTATION SCREW  
2.0mm [5/64in] HEX



Ø83.4mm [3.28in]



DRAWING PROJECTION			<b>LBTEK</b>			
	NAME	DATE				
DRAWN	ERIC	OCT./11th/19	30mm CAGE FILTER WHEEL			
APPROVAL	ZYANG	OCT./11th/19	MATERIAL	WEIGHT	SCALE	REV
FOR INFORMATION ONLY NOT FOR MANUFACTURING PURPOSES			N/A	0.148 Kg	1:1.5	C

NOTE: MOP RODS WILL NOT PASS THROUGH UPPER BASE