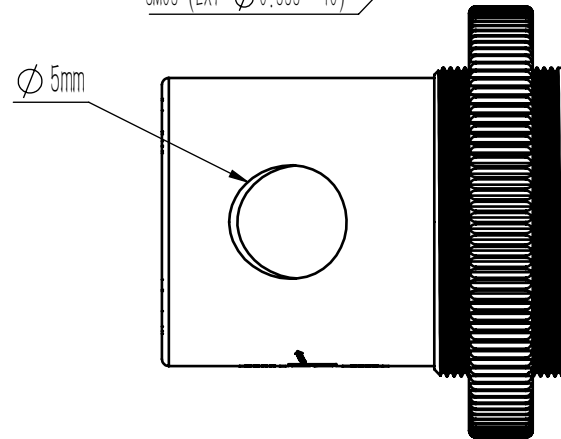
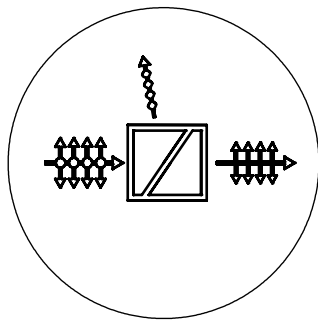


II
5 : 1



SM05 (EXT ϕ 0.535"-40)



NOTES:

1. MATERIAL: Calcite & 6061-T6
2. WORKING WAVELENGTH: 350-2300 nm
3. EXTINGTION RATIO: 10000: 1
4. CLEAR APERTURE: ϕ 5mm
5. COATING: P coating@1064 nm, AOI=0°
6. WAVEFRONT ERROR: $< \lambda/4@632.8$ nm, ϕ 4mm
7. SURFACE QUALITY (S/D):
20/10 (ENTRANCE/EXIT WINDOWS) , 80/50 (ESCAPE WINDOWS)
8. OTHER SURFACE: FINE GROUND
9. BEAM DEVIATION: $< 3'$

DRAWING PROJECTION			LBTEK			
	NAME	DATE				
DRAWN	LTAN	Nov./18th/25	GLAN-LASER CRYSTAL POLARIZATION PRISM			
APPROVAL	WZCHEN	Nov./18th/25	MATERIAL	WEIGHT	SCALE	REV
FOR INFORMATION ONLY NOT FOR MANUFACTURING PURPOSES			Calcite & 6061-T6	3.17g	3:1	A