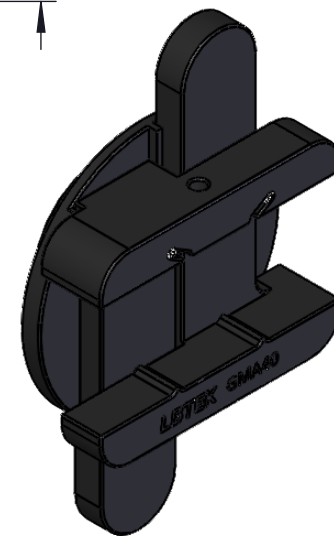
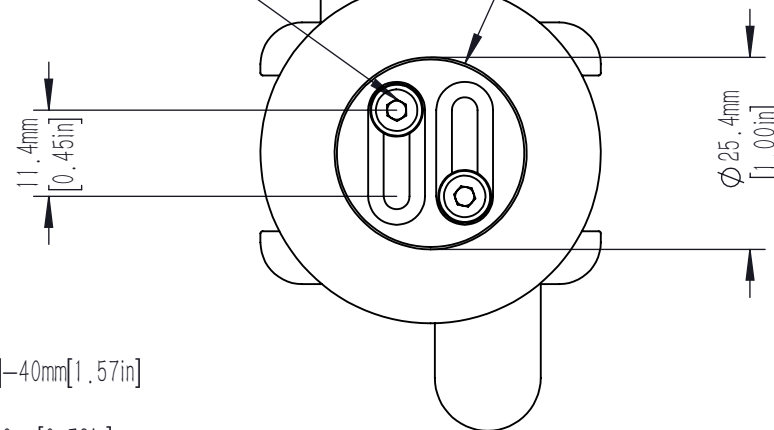


GRIP GRATING HEIGHT 20mm[0.79in]–40mm[1.57in]
 GRATING WIDTH 18mm(MIN)[0.71in]
 GRATING THICKNESS 5mm[0.20in]–10mm[0.39in]

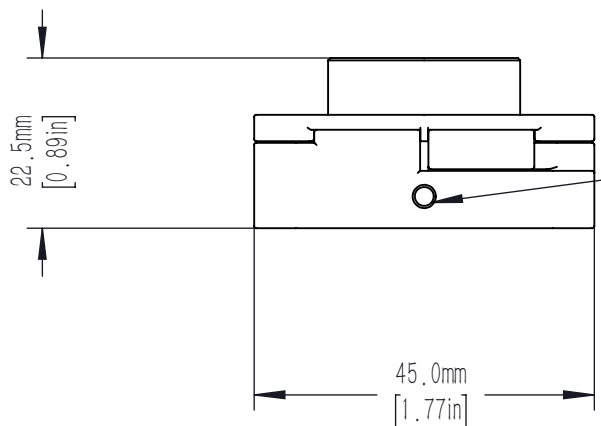
视图 A

M3 CYLINDRICAL HEAD SCREW LOCKING
 2 PLACES

INSTALLED ON THE ONE INCH OPTICAL MIRROR MOUNT



↓ A



M3 RUBBER HEAD SCREW LOCKING GRATING

DRAWING PROJECTION			LBTEK			
NAME	DATE	GMA40				
DRAWN	ZZH	APR./15th/24	GRATING ADJUSTMENT BRACKET ADAPTER			
APPROVAL	HDE	APR./15th/24	MATERIAL	WEIGHT	SCALE	REV
FOR INFORMATION ONLY NOT FOR MANUFACTURING PURPOSES			N/A	0.057 Kg	1:1	A