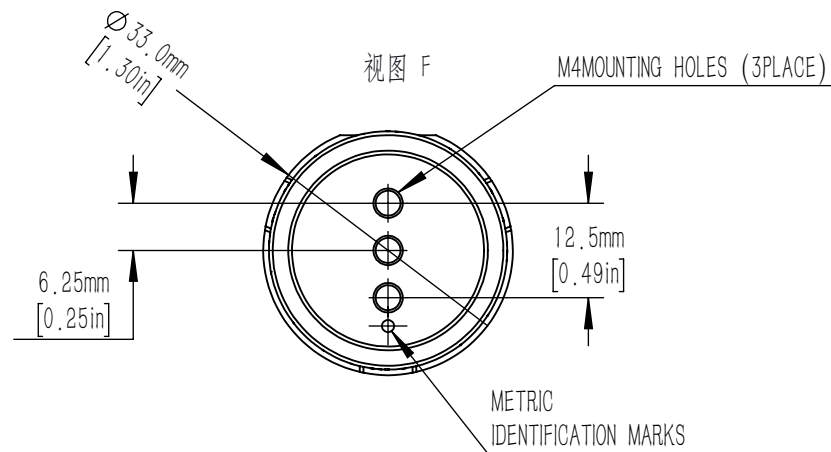
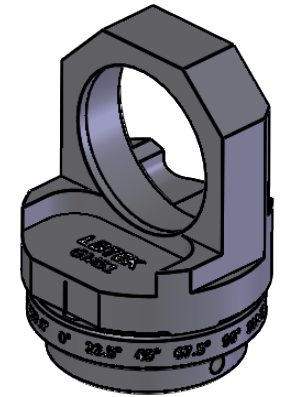
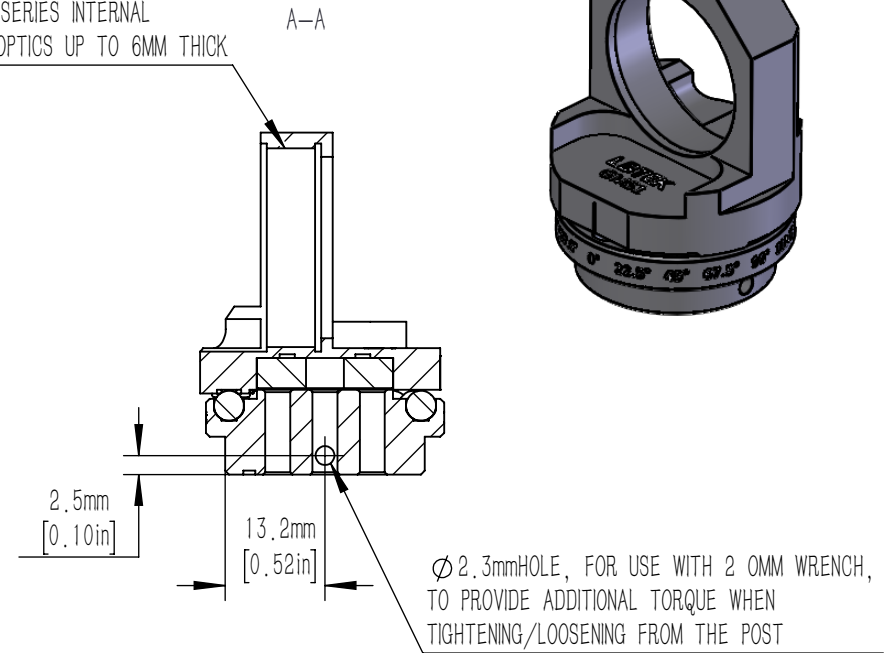


SM1 (INT 1.035"-40, UNS-2B) SERIES INTERNAL THREAD ACCOMMODATES 1 INCH OPTICS UP TO 6MM THICK



DRAWING PROJECTION			LBTEK			
	NAME	DATE				
DRAWN	SSO	OCT./9th/22	INDEX MOUNT FOR $\varnothing 25.4\text{MM}$ OPTICS WITH 16 POSITION INDEX			
APPROVAL	ZXU	OCT./9th/22	MATERIAL	WEIGHT	SCALE	REV
FOR INFORMATION ONLY NOT FOR MANUFACTURING PURPOSES			N/A	0.04 Kg	1:1	B