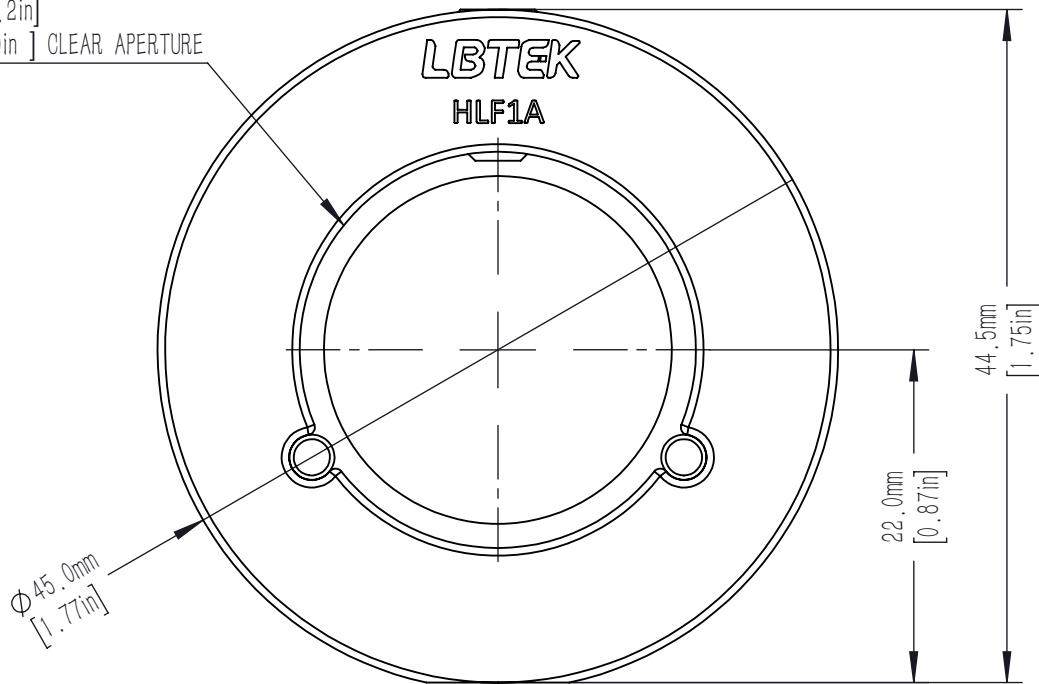


ACCEPTS ϕ 25.4mm [ϕ 1.0in] OPTICS
 MINIMUM 5.0mm [0.2in]
 ϕ 23 mm [ϕ 0.9in] CLEAR APERTURE



DRAWING PROJECTION			LBTEK			
NAME	DATE					
DRAWN	ZLI	FEB./22th/24	LENS MOUNT FOR 25.4 mm OPTICS WITH UNTHREADED HOLE			
APPROVAL	DHE	FEB./22th/24	MATERIAL	WEIGHT	SCALE	REV
FOR INFORMATION ONLY NOT FOR MANUFACTURING PURPOSES			N/A	0.030 Kg	2:1	A