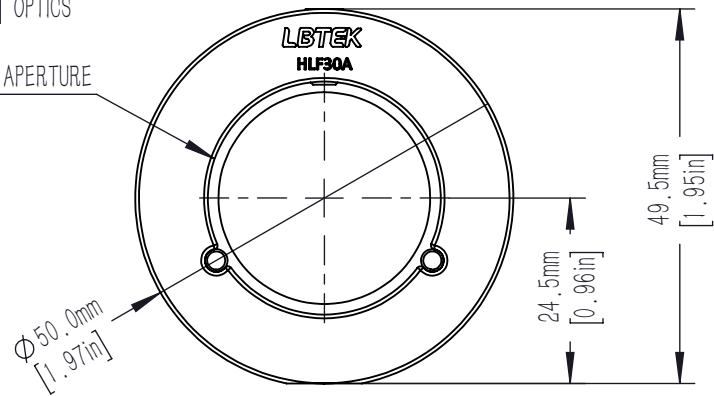


ACCEPTS  $\phi$  30mm [ $\phi$  1.18in] OPTICS  
 MINIMUM 5.0mm [0.2in]  
 $\phi$  28mm [ $\phi$  1.10in] CLEAR APERTURE



DRAWING PROJECTION			<b>LBTEK</b>			
	NAME	DATE				
DRAWN	ZLI	FEB./22th/24	LENS MOUNT FOR 30 mm OPTICS WITH UNTHREADED HOLE			
APPROVAL	DHE	FEB./22th/24	MATERIAL	WEIGHT	SCALE	REV
FOR INFORMATION ONLY NOT FOR MANUFACTURING PURPOSES			N/A	0.034 Kg	1:1	A