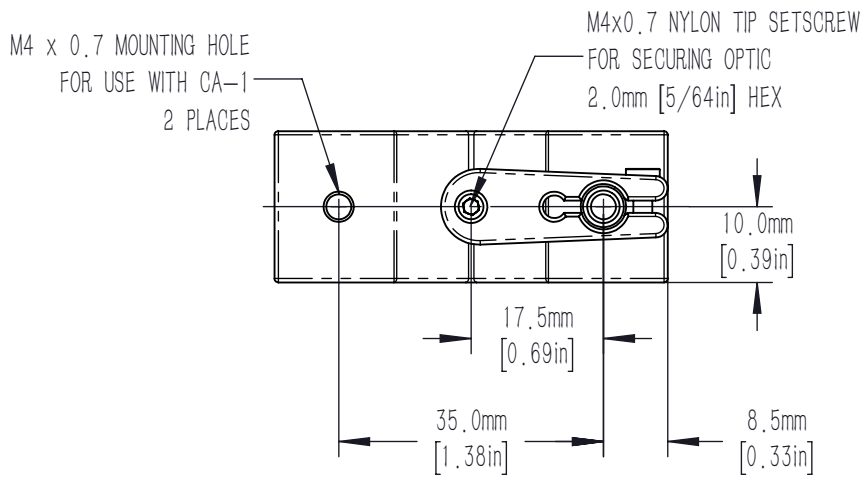
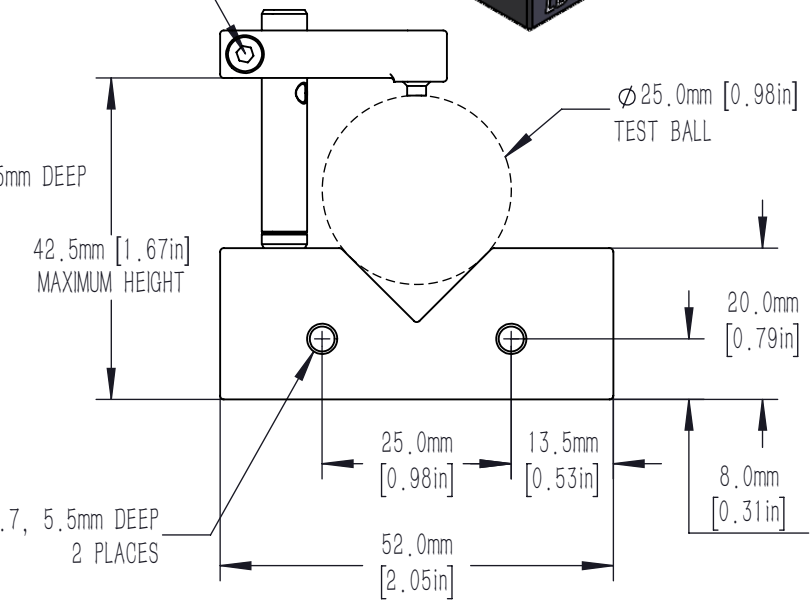
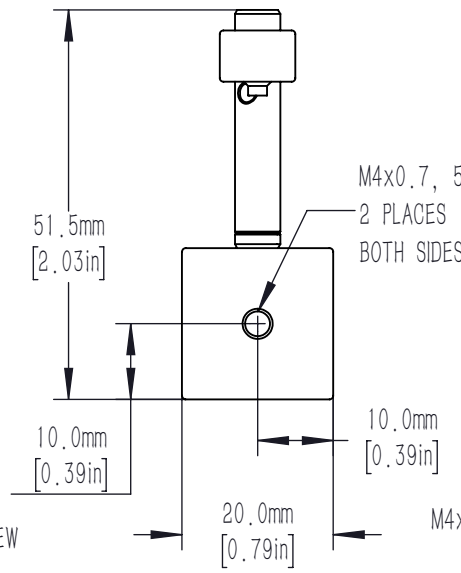


M2.5 x 0.45 LOCKING SCREW FOR ADJUSTING CA-1 2.0mm [5/64in] HEX



DRAWING PROJECTION			<b>LBTEK</b>			
NAME	DATE	HM-V25				
DRAWN	ZYANG	OCT./16th/19	V-CLAMP			
APPROVAL	ERIC	OCT./16th/19	MATERIAL	WEIGHT	SCALE	REV
FOR INFORMATION ONLY NOT FOR MANUFACTURING PURPOSES			N/A	0.061 Kg	1:1	B